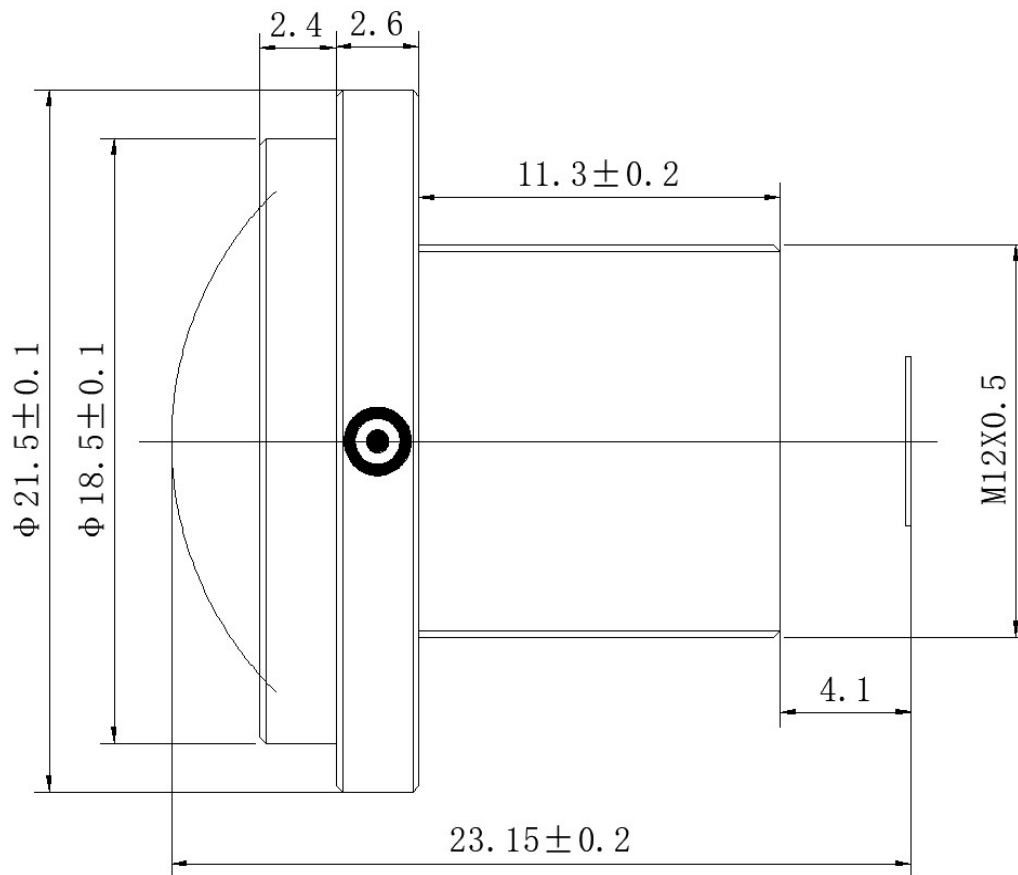


SPECIFICATION

IMAGE FORMAT	Max Φ 5.3mm
FOCAL LENGTH	1.6mm
F.O.V. (1/2.42" ISX031)	186° (D=7.45)
	186° (H=5.81)
	162° (V=4.66)
RESOLUTION	3 Megapixel
F- θ DISTORTION	<-7.9%
APERTURE	F2.0
MOUNT	M12X0.5
IRIS	Fixed
T.T.L.	23.15mm
STRUCTURE	6G+IRCF
WATERPROOF	IP69K



SCALE		DRAWN		MODEL	S5318620F69	REV	DESCRIPTION	DATE	NAME
DATE		CHECK		 香港致远电子集团有限公司 HONGKONG TOWIN ELECTRONICS CO.,LTD.		①			
UNIT	mm	APPROVE				②			
						③			