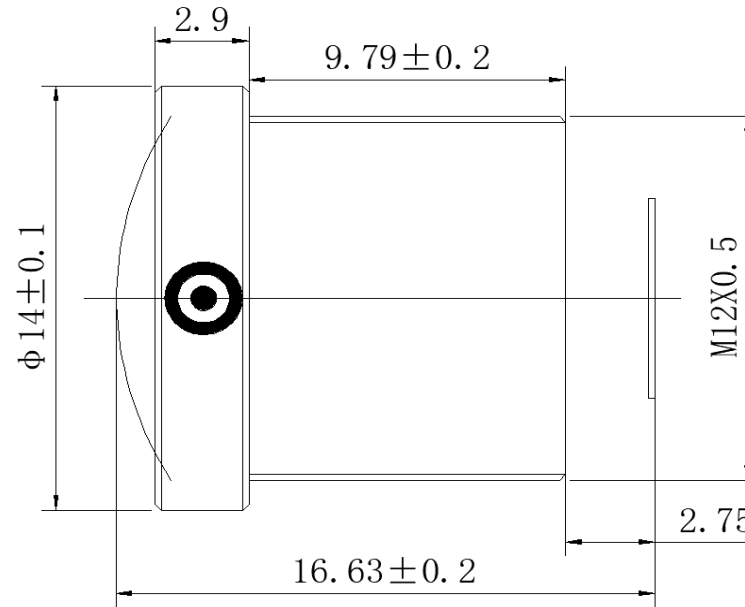


SPECIFICATION

IMAGE FORMAT	Max $\Phi 6.9$
FOCAL LENGTH	2.1mm
F.O.V.	190° (D=6.61)
	159° (H=5.76)
	86° (V=3.24)
RESOLUTION	2 MP
DISTORTION	<-89%
APERTURE	F2.0
MOUNT	M12x0.5
IRIS	Fixed
M.O.D.	0.2m
T.T.L.	16.63mm
STRUCTURE	6G+IRCF
WATERPROOF	IP69K



SCALE	2:1	DRAWN		MODEL	S02106819020F69	REV	DESCRIPTION	DATE	NAME
DATE		CHECK		 香港致远电子集团有限公司 HONGKONG TOWIN ELECTRONICS CO.,LTD.	①				
UNIT	mm	APPROVE			②				
					③				