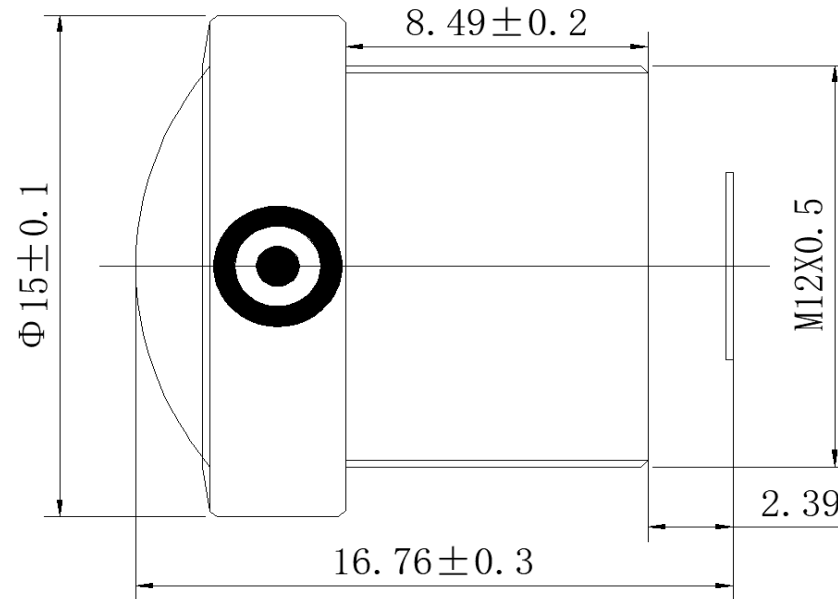


SPECIFICATION

IMAGE FORMAT	Max Φ 5.6mm
FOCAL LENGTH	1.4mm
F.O.V. (1/2.42" ISX031)	200° (D=7.45)
	200° (H=5.81)
	169° (V=4.66)
RESOLUTION	3 Megapixel
TV DISTORTION	<-47%
APERTURE	F2.0
MOUNT	M12X0.5
IRIS	Fixed
T.T.L.	16.76mm
STRUCTURE	2G4P+IRCF
WATERPROOF	IP69K



SCALE		DRAWN		MODEL	S01412420020F69	REV	DESCRIPTION	DATE	NAME
DATE		CHECK		 香港致远电子集团有限公司 HONGKONG TOWIN ELECTRONICS CO.,LTD.		①			
UNIT	mm	APPROVE				②			
						③			