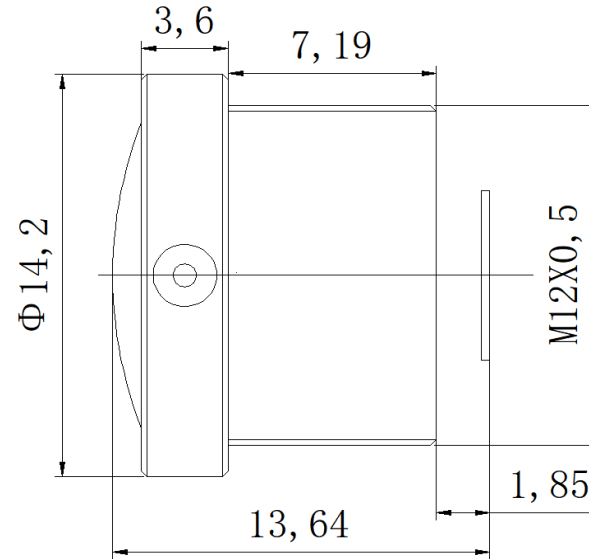


# SPECIFICATION

IMAGE FORMAT	1/4"
FOCAL LENGTH	1.3mm
F.O.V. (OV2732)	134°(D)
	122°(H)
	82° (V)
RESOLUTION	2 MP
DISTORTION	<-25%
APERTURE	F2.5
MOUNT	M12x0.5
M.O.D.	0.1m
T.T.L.	13.64mm
STRUCTURE	1G3P+IRCF
WATERPROOF	IP69K
WORKING TEMP.	-40°C~+85°C



SCALE		DRAWN		MODEL	<b>S01314012225F69</b>	REV	DESCRIPTION	DATE	NAME
DATE		CHECK		 香港致远电子集团有限公司 HONGKONG TOWIN ELECTRONICS CO.,LTD.		①			
UNIT	mm	APPROVE				②			
						③			