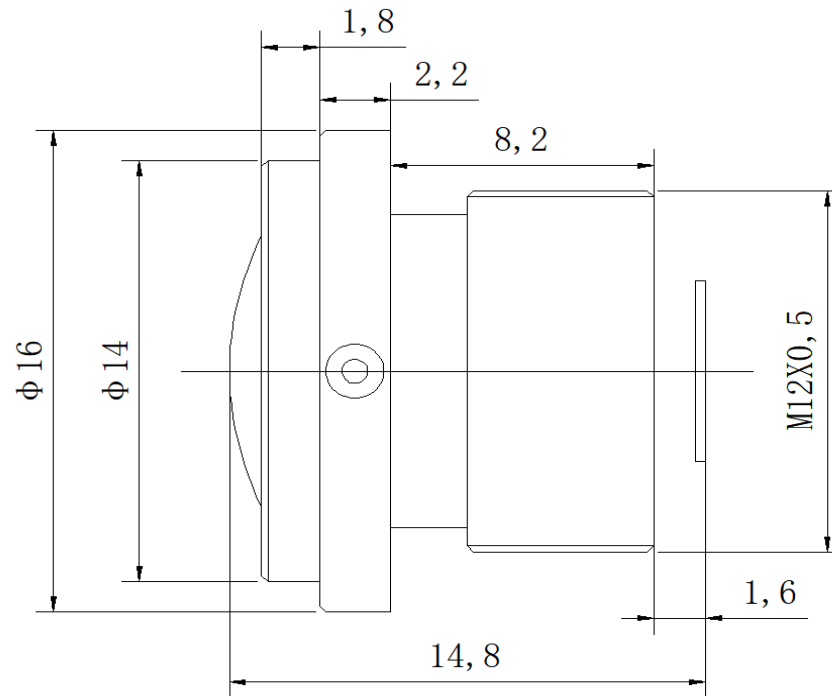


# SPECIFICATION

IMAGE FORMAT	Max $\Phi$ 4.9mm
FOCAL LENGTH	1.5mm
F.O.V. (1/4")	170°(D)
	135°(H)
	102° (V)
RESOLUTION	Megapixel
TV DISTORTION	<-18%
APERTURE	F2.0
MOUNT	M12x0.5
IRIS	Fixed
M.O.D.	0.2m
T.T.L.	14.8mm
STRUCTURE	4G2P+IRCF
WATERPROOF	IP67



SCALE		DRAWN		MODEL	<b>S01214013520F67</b>	REV	DESCRIPTION	DATE	NAME
DATE		CHECK		 香港致远电子集团有限公司 HONGKONG TOWIN ELECTRONICS CO.,LTD.	①				
UNIT	mm	APPROVE			②				
					③				