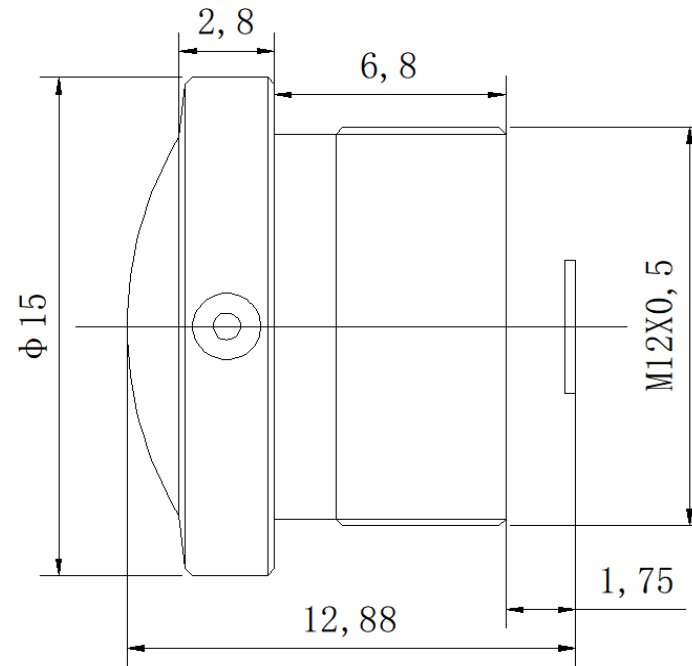


# SPECIFICATION

IMAGE FORMAT	φ4.1mm
FOCAL LENGTH	1.0mm
F.O.V. @1/4"	200°(D=4.53)
	195°(H=3.84)
	151° (V=2.88)
RESOLUTION	1.3MP
DISTORTION	<-125%
APERTURE	F2.0
MOUNT	M12x0.5
IRIS	Fixed
M.O.D.	0.1m
T.T.L.	12.88mm
STRUCTURE	2G4P+IRCF
TEMP.	-40°C~+85°C
WATERPROOF	IP69K



SCALE		DRAWN		MODEL	<b>S01014019520F</b>	REV	DESCRIPTION	DATE	NAME
DATE		CHECK		 香港致远电子集团有限公司 HONGKONG TOWIN ELECTRONICS CO.,LTD.		①			
UNIT	mm	APPROVE				②			
						③			