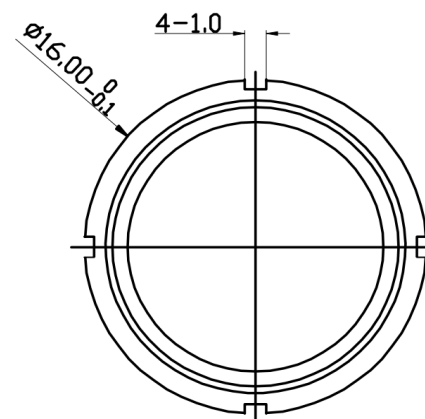
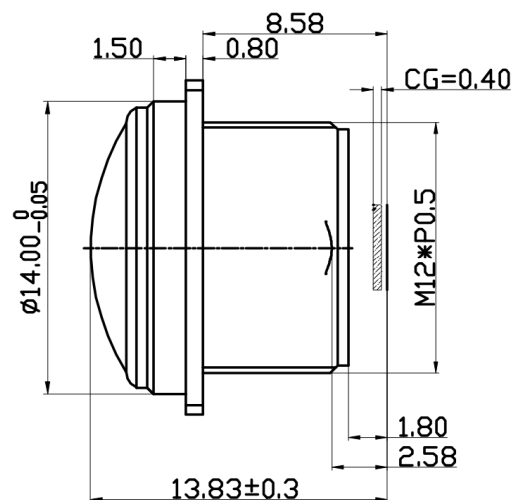


SPECIFICATION

IMAGE FORMAT	MAX ϕ 4.1mm
FOCAL LENGTH	1.0mm
F.O.V. @1/4"	210°(D=4.53)
	195°(H=3.84)
	147° (V=2.88)
RESOLUTION	MP
DISTORTION	<-125%
APERTURE	F1.6
MOUNT	M12x0.5
IRIS	Fixed
M.O.D.	0.1m
T.T.L.	13.83mm
STRUCTURE	4G2P+IRCF
TEMP.	-40°C~+80°C
WATERPROOF	IP69K



SCALE		DRAWN		MODEL	S01014019516F69	REV	DESCRIPTION	DATE	NAME
DATE		CHECK		 香港致远电子集团有限公司 HONGKONG TOWIN ELECTRONICS CO.,LTD.		①			
UNIT	mm	APPROVE				②			
						③			