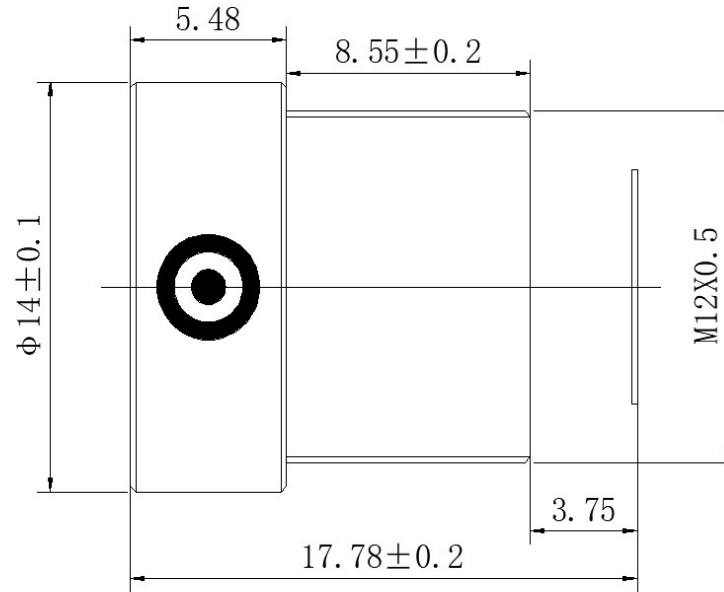


SPECIFICATION

IMAGE FORMAT	1/1.8", 1/2"
FOCAL LENGTH	13.98mm±5%
F.O.V. (1/2" IMX586)	31.5°(D)
	25.5°(H)
	19.4°(V)
RESOLUTION	48MP
TV DISTORTION	<-1%
APERTURE	F2.8±5%
MOUNT	M12x0.5
IRIS	Fixed
M.O.D.	0.15m
T.T.L.	17.78mm
STRUCTURE	With IRCF



SCALE		DRAWN		MODEL	S13012002528F	REV	DESCRIPTION	DATE	NAME
DATE		CHECK		 香港致远电子集团有限公司 HONGKONG TOWIN ELECTRONICS CO.,LTD.		①			
UNIT	mm	APPROVE				②			
						③			