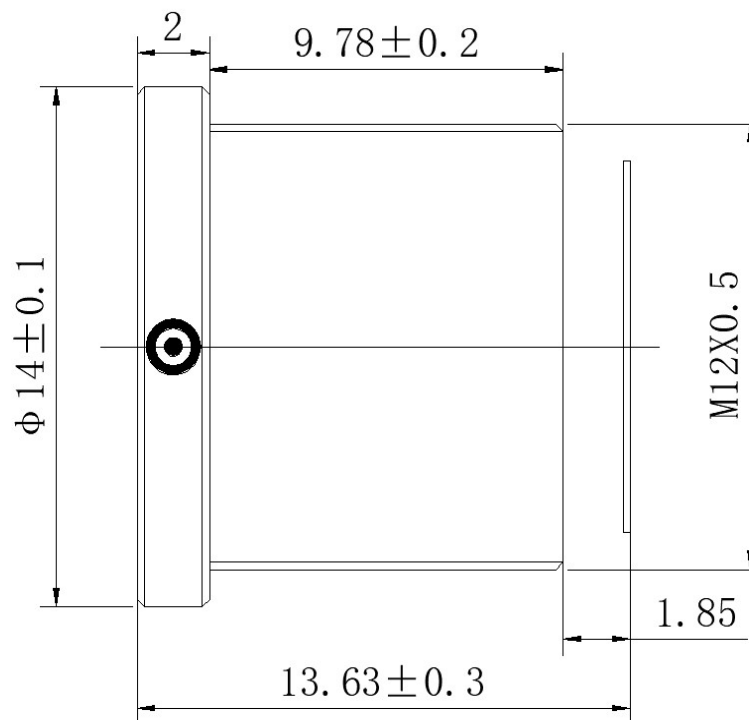


## SPECIFICATION

IMAGE FORMAT	1/1.8"
FOCAL LENGTH	9.9mm
F.O.V.	47.5°(D=8.81)
	42°(H=7.68)
	24°(V=4.32)
RESOLUTION	6MP
TV DISTORTION	<0.2%
APERTURE	F3.0
MOUNT	M12x0.5
IRIS	Fixed
M.O.D.	0.2m
T.T.L.	13.63mm
STRUCTURE	With IRCF



SCALE		DRAWN		MODEL	<b>S09911804230F</b>	REV	DESCRIPTION	DATE	NAME
DATE		CHECK		 香港致远电子集团有限公司 HONGKONG TOWIN ELECTRONICS CO.,LTD.		①			
UNIT	mm	APPROVE				②			
						③			