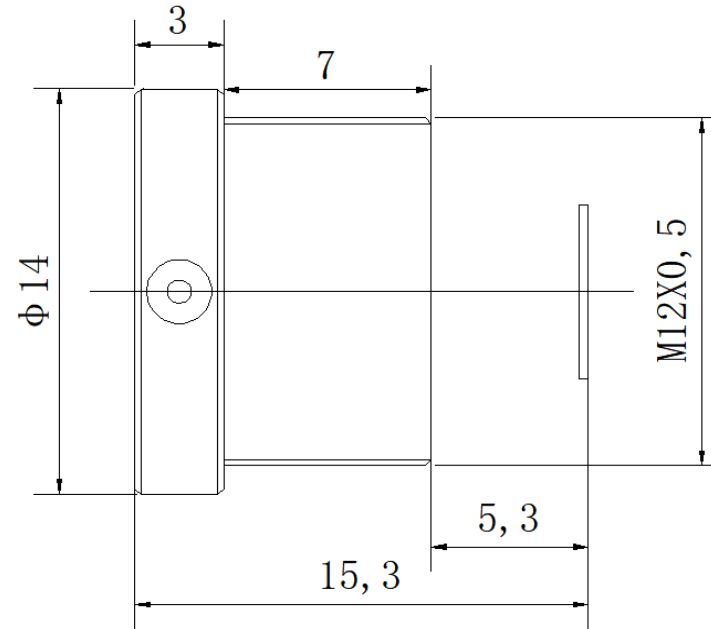


# SPECIFICATION

IMAGE FORMAT	1/3"
FOCAL LENGTH	8.8mm
F.O.V.	35°(D)
	28°(H)
	21°(V)
RESOLUTION	Megapixel
DISTORTION	<3.9%
APERTURE	F3.5
MOUNT	M12X0.5
M.O.D.	0.1m
B.F.L.	5.88mm
TTL	11.5mm
STRUCTURE	5G



SCALE		DRAWN		MODEL	<b>S08813002835</b>	REV	DESCRIPTION	DATE	NAME
DATE		CHECK		 香港致远电子集团有限公司 HONGKONG TOWIN ELECTRONICS CO.,LTD.	①				
UNIT	mm	APPROVE			②				
					③				