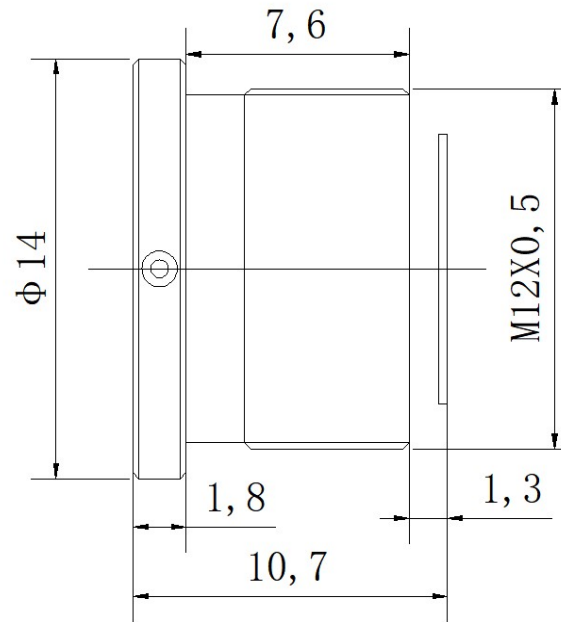


SPECIFICATION

IMAGE FORMAT	1/2.5"
FOCAL LENGTH	6.1mm
F.O.V.	60°(D)
	50°(H)
	38°(V)
RESOLUTION	5 MP
DISTORTION	<-1%
APERTURE	F3.0
MOUNT	M12X0.5
IRIS	Fixed
M.O.D.	0.2m
B.F.L.	2.9mm
STRUCTURE	2G2P



SCALE		DRAWN		MODEL	S06112505030	REV	DESCRIPTION	DATE	NAME
DATE		CHECK		 香港致远电子集团有限公司 HONGKONG TOWIN ELECTRONICS CO.,LTD.		①			
UNIT	mm	APPROVE				②			
						③			