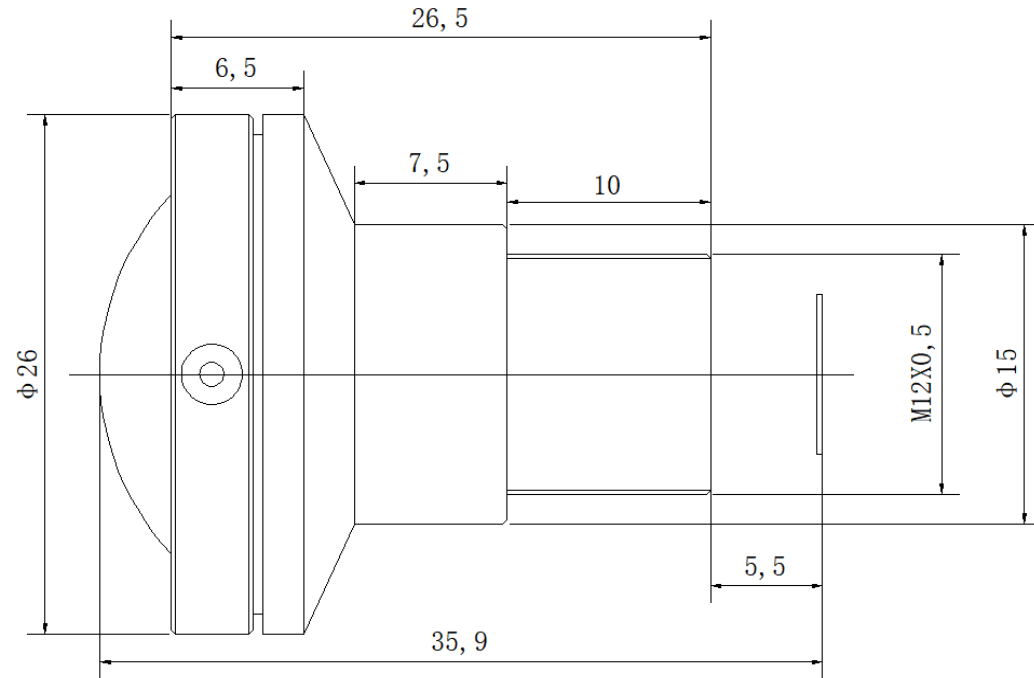


SPECIFICATION

IMAGE FORMAT	1/2.8"
FOCAL LENGTH	6mm
F.O.V.	65°(D)
	55°(H)
	30°(V)
RESOLUTION	3 Megapixel
APERTURE	F1.2
MOUNT	M12x0.5
IRIS	Fixed
M.O.D.	0.2m
B.F.L.	6.8mm
STRUCTURE	7G+IRCF



SCALE		DRAWN		MODEL	S06012805512MPF	REV	DESCRIPTION	DATE	NAME
DATE		CHECK		 香港致远电子集团有限公司 HONGKONG TOWIN ELECTRONICS CO.,LTD.		①			
UNIT	mm	APPROVE				②			
						③			