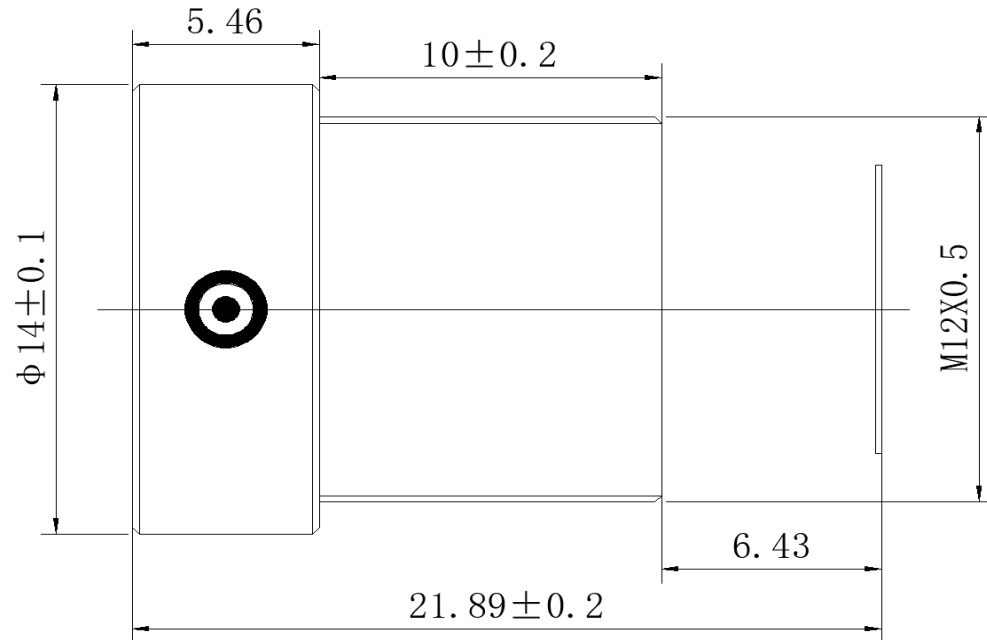


# SPECIFICATION

IMAGE FORMAT	1/1.8", 1/2.8"
FOCAL LENGTH	4.0mm
F.O.V.@1/1.8"	95°(D)
	88°(H)
	47°(V)
F.O.V.@1/2.8"	77°(D)
	65°(H)
	50°(V)
RESOLUTION	8 MP
TV DISTORTION	<-0.5%
APERTURE	F2.8
MOUNT	M12x0.5
M.O.D.	0.2m
T.T.L.	21.89mm
STRUCTURE	Without IRCF



SCALE		DRAWN		MODEL	<b>S04011808828</b>	REV	DESCRIPTION	DATE	NAME
DATE		CHECK		 香港致远电子集团有限公司 HONGKONG TOWIN ELECTRONICS CO.,LTD.		①			
UNIT	mm	APPROVE				②			
						③			