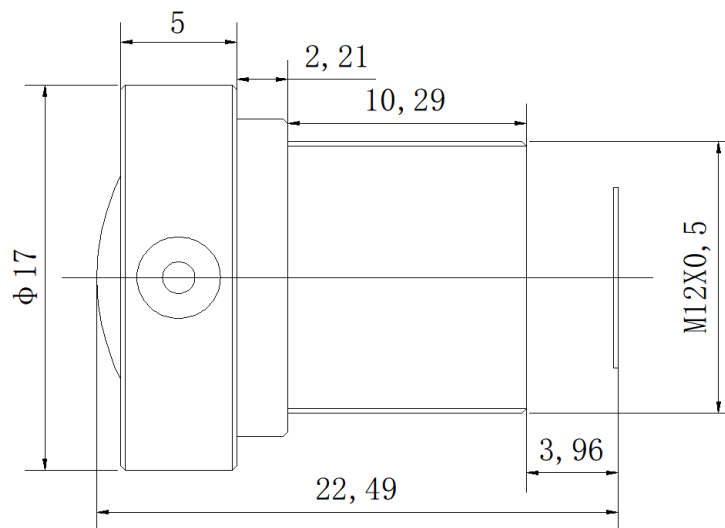


SPECIFICATION

IMAGE FORMAT	1/2.5"
FOCAL LENGTH	3.3mm
F.O.V.@AR0233	96°(D=7.24)
	86°(H=6.14)
	60°(V=3.84)
RESOLUTION	3 MP
TV DISTORTION	<-0.5%
APERTURE	F2.7
MOUNT	M12x0.5
IRIS	Fixed
M.O.D.	0.2m
T.T.L.	22.49mm
STRUCTURE	4G2P



SCALE		DRAWN		MODEL	S03312508627	REV	DESCRIPTION	DATE	NAME
DATE		CHECK		 香港致远电子集团有限公司 HONGKONG TOWIN ELECTRONICS CO.,LTD.		①			
UNIT	mm	APPROVE				②			
						③			