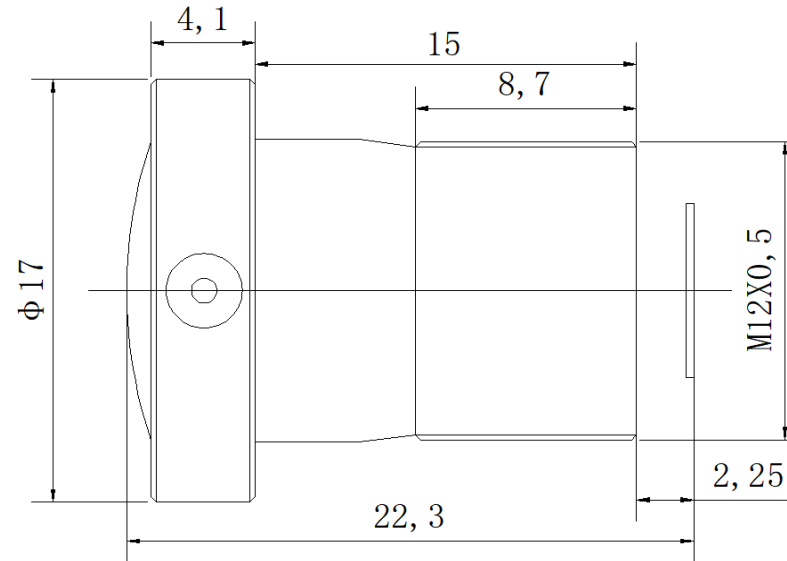


SPECIFICATION

IMAGE FORMAT	1/2.8"
FOCAL LENGTH	3.1mm
F.O.V.@IMX335	140°(D=6.48)
	104°(H=5.18)
	75°(V=3.88)
RESOLUTION	5 Megapixel
APERTURE	F1.2
MOUNT	M12x0.5
IRIS	Fixed
M.O.D.	0.2m
B.F.L.	3.1mm
STRUCTURE	2G5P



SCALE		DRAWN		MODEL	S03112810412	REV	DESCRIPTION	DATE	NAME
DATE		CHECK		 香港致远电子集团有限公司 HONGKONG TOWIN ELECTRONICS CO.,LTD.		①			
UNIT	mm	APPROVE				②			
						③			