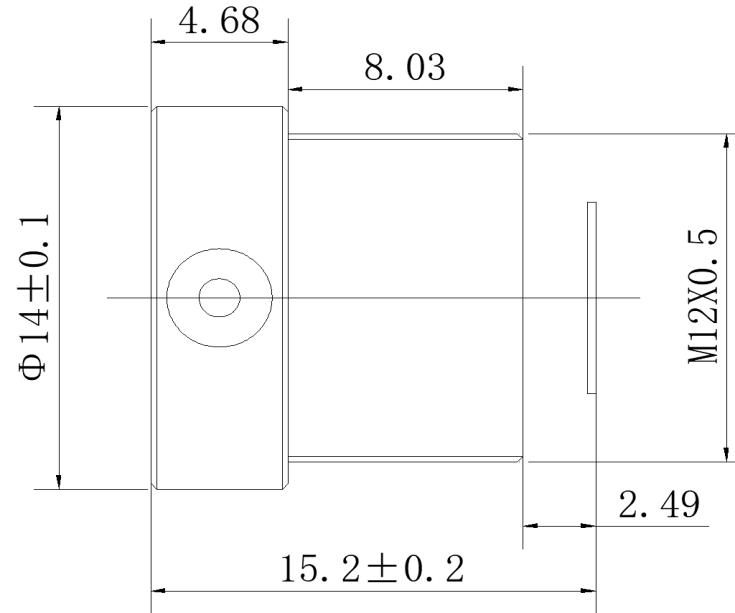


# SPECIFICATION

IMAGE FORMAT	Max $\Phi 7.3$
FOCAL LENGTH	2.8mm
F.O.V. @1/2.5"	106°(D)
	94°(H)
	76°(V)
F.O.V. @1/2.7"	103°(D)
	94°(H)
	63°(V)
RESOLUTION	2 MP
DISTORTION	<-0.1%
APERTURE	F2.4
MOUNT	M12x0.5
IRIS	Fixed
M.O.D.	0.2m
T.T.L.	15.2mm
STRUCTURE	2G2P+850nm IR



850nm IR: Visible and 850nm Dual pass filter

SCALE		DRAWN		MODEL	<b>S02812509424D8</b>	REV	DESCRIPTION	DATE	NAME
DATE		CHECK		 香港致远电子集团有限公司 HONGKONG TOWIN ELECTRONICS CO.,LTD.		①			
UNIT	mm	APPROVE				②			
						③			