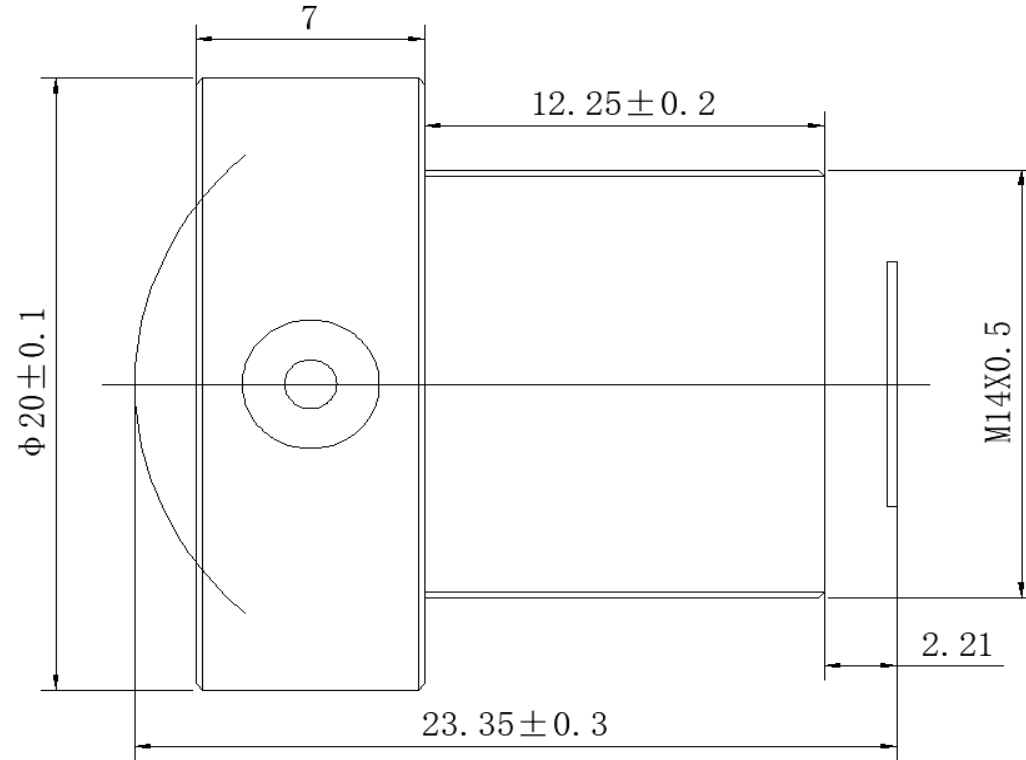


# SPECIFICATION

IMAGE FORMAT	Max $\Phi 8.2\text{mm}$
FOCAL LENGTH	2.5mm
F.O.V. (1/2")	127°(D)
	111°(H)
	92°(V)
DISTORTION	<-14.9%
RESOLUTION	640*480
APERTURE	F1.2
MOUNT	M14X0.5
IRIS	Fixed
F.B.L.	2.21mm
M.O.D.	0.2m
C.R.A.	<1.2°
STRUCTURE	3G+2ASPG



SCALE		DRAWN		MODEL	<b>S02512011013IR</b>	REV	DESCRIPTION	DATE	NAME
DATE		CHECK		 香港致远电子集团有限公司 HONGKONG TOWIN ELECTRONICS CO.,LTD.		①			
UNIT	mm	APPROVE				②			
						③			