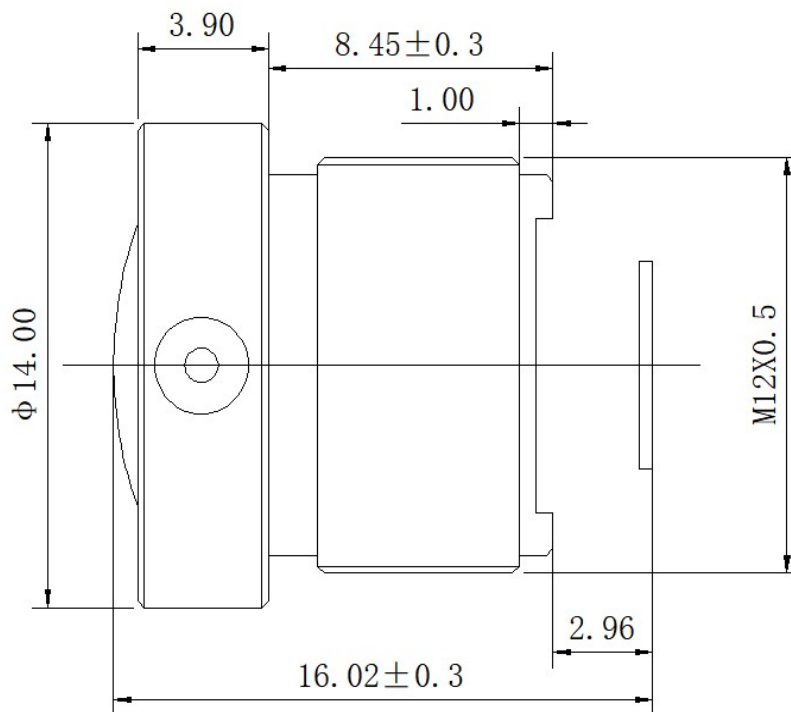


SPECIFICATION

IMAGE FORMAT	1/3.2"
FOCAL LENGTH	2.0mm
F.O.V.	152°(D=5.68)
	125°(H=4.48)
	94°(V=3.36)
RESOLUTION	8 MegaPixel
TV DISTORTION	<-24%
APERTURE	F2.0
MOUNT	M12X0.5
IRIS	Fixed
FOCUS	Manual
ZOOM	Fixed
T.T.L.	16.02mm
STRUCTURE	4G3P+850nm BPF



SCALE		DRAWN		MODEL	S02013212520F850	REV	DESCRIPTION	DATE	NAME
DATE		CHECK		 香港致远电子集团有限公司 HONGKONG TOWIN ELECTRONICS CO.,LTD.		①			
UNIT	mm	APPROVE				②			
						③			