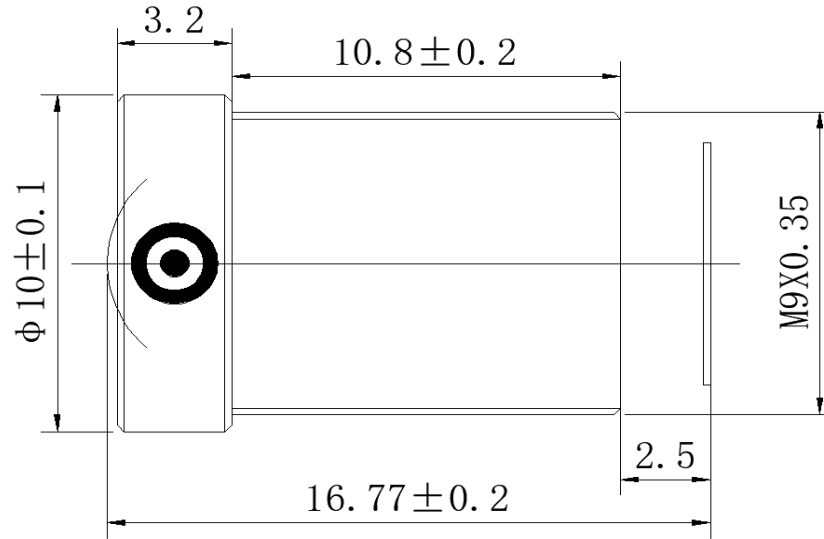


SPECIFICATION

IMAGE FORMAT	1/2.5", 1/2.7"
FOCAL LENGTH	5.9mm
F.O.V.@1/2.5"	75°(D=7.12)
	60°(H=5.70)
	45°(V=4.28)
F.O.V.@1/2.7"	70°(D=6.61)
	60°(H=5.76)
	34°(V=3.24)
RESOLUTION	5MP
TV DISTORTION	<-7.8%
APERTURE	F1.8
MOUNT	M9x0.35
M.O.D.	0.2m
T.T.L.	16.77mm
STRUCTURE	Without IRCF



SCALE		DRAWN		MODEL	M905912506018	REV	DESCRIPTION	DATE	NAME
DATE		CHECK		 香港致远电子集团有限公司 HONGKONG TOWIN ELECTRONICS CO.,LTD.		①			
UNIT	mm	APPROVE				②			
						③			