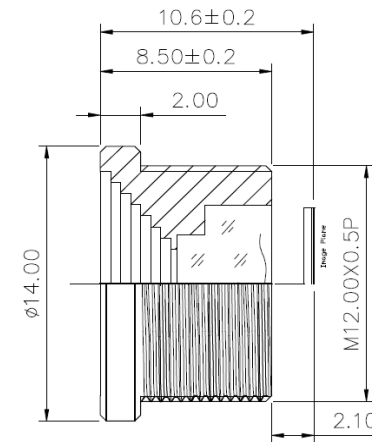
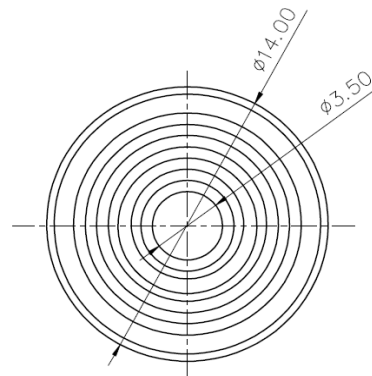


SPECIFICATION

IMAGE FORMAT	1/2.5", 1/2.7"
FOCAL LENGTH	7.35mm
F.O.V.@1/2.7"	53°(D)
	42°(H)
	25°(V)
RESOLUTION	5 MP
DISTORTION	<-1%
APERTURE	F2.6
MOUNT	M12X0.5
IRIS	Fixed
M.O.D.	0.1m
B.F.L.	2.1mm
STRUCTURE	4P
C.R.A	<25°



SCALE		DRAWN		MODEL	CCL1250735MP	REV	DESCRIPTION	DATE	NAME
DATE		CHECK		 香港致远电子集团有限公司 HONGKONG TOWIN ELECTRONICS CO.,LTD.	①				
UNIT	mm	APPROVE			②				
					③				