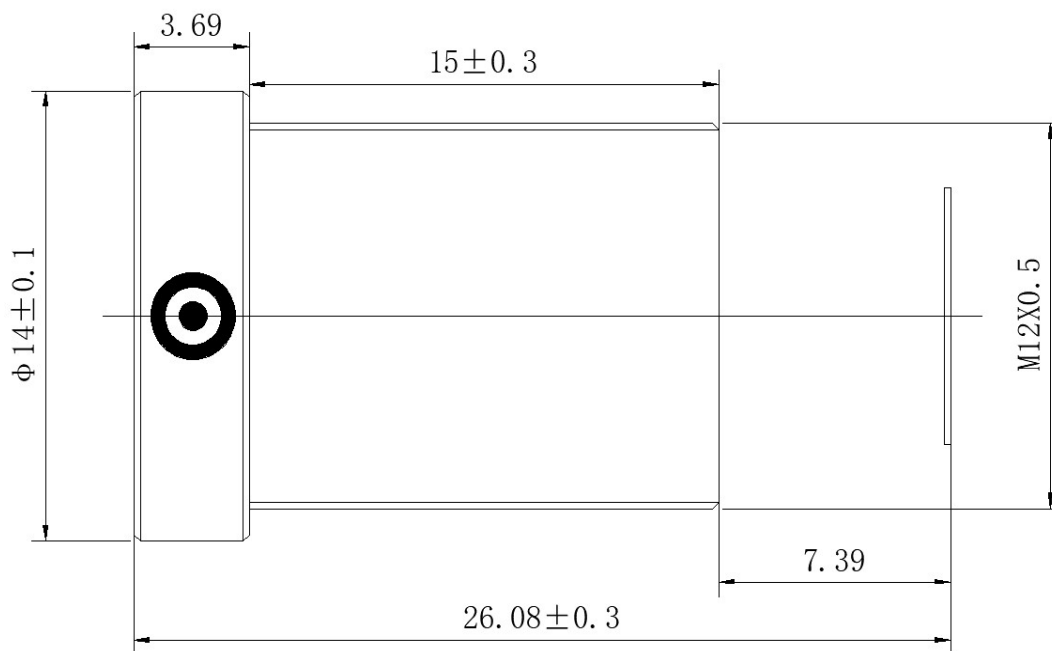


SPECIFICATION

IMAGE FORMAT	Max $\Phi 8.2\text{mm}$
FOCAL LENGTH	6.0mm
F.O.V. (1/2.5")	74°(D)
	58°(H)
	42°(V)
F.O.V. (1/2.8")	66°(D)
	56°(H)
	31°(V)
RESOLUTION	5 MegaPixel
TV DISTORTION	<-19%
APERTURE	F2.0
MOUNT	M12X0.5
T.T.L.	26.08mm
STRUCTURE	6G+IRCF



SCALE		DRAWN		MODEL	S06012505820F	REV	DESCRIPTION	DATE	NAME
DATE		CHECK		 香港致远电子集团有限公司 HONGKONG TOWIN ELECTRONICS CO.,LTD.		①			
UNIT	mm	APPROVE				②			
						③			