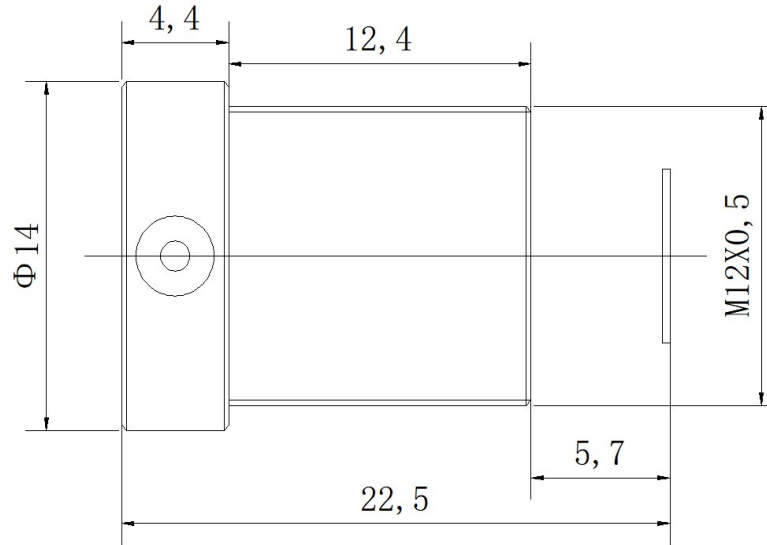


SPECIFICATION

IMAGE FORMAT	1/2.7", 1/3"
FOCAL LENGTH	4mm
F.O.V.@1/2.7"	107°(D)
	85°(H)
	64°(V)
DISTORTION	<-37%
F.O.V.@1/3"	94°(D)
	75°(H)
	56°(V)
DISTORTION	<-29%
RESOLUTION	3Megapixel
APERTURE	F2.6
MOUNT	M12X0.5
B.F.L.	6.3mm
M.O.D.	0.2m
STRUCTURE	5G



SCALE		DRAWN		MODEL	S04012708526	REV	DESCRIPTION	DATE	NAME
DATE		CHECK		 香港致远电子集团有限公司 HONGKONG TOWIN ELECTRONICS CO.,LTD.		①			
UNIT	mm	APPROVE				②			
						③			