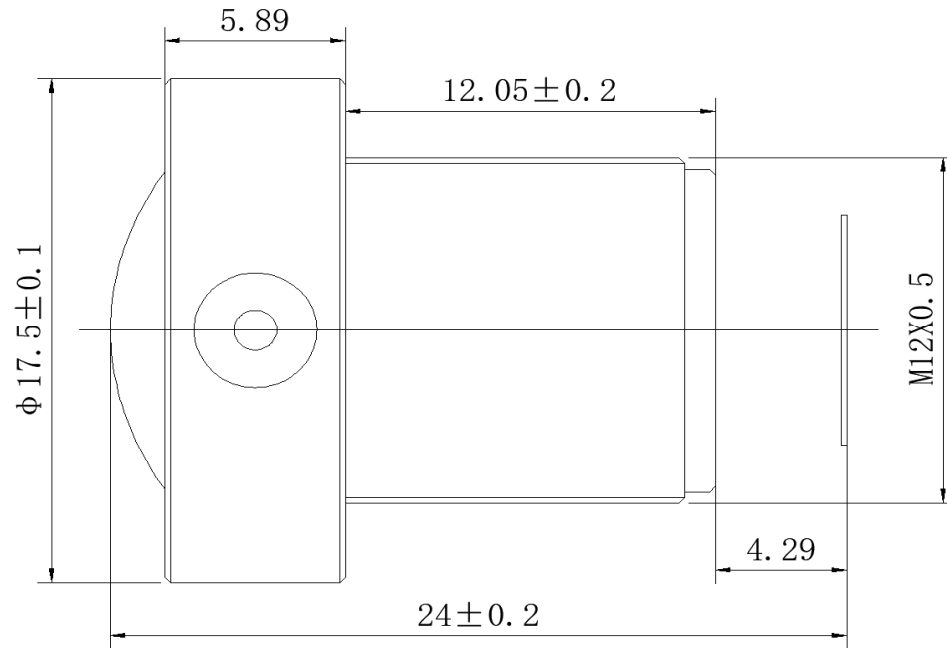


SPECIFICATION

IMAGE FORMAT	Max Φ 8.0mm
FOCAL LENGTH	3.0mm
F.O.V. (1/2.3")	150°
	123°
	93°
RESOLUTION	16 MP
DISTORTION	<63%
APERTURE	F2.5
MOUNT	M12x0.5
IRIS	Fixed
M.O.D.	0.1m
T.T.L.	24mm
STRUCTURE	5G1M+IRCF



SCALE		DRAWN		MODEL	S03012312325F	REV	DESCRIPTION	DATE	NAME
DATE		CHECK		 香港致远电子集团有限公司 HONGKONG TOWIN ELECTRONICS CO.,LTD.	①				
UNIT	mm	APPROVE			②				
					③				