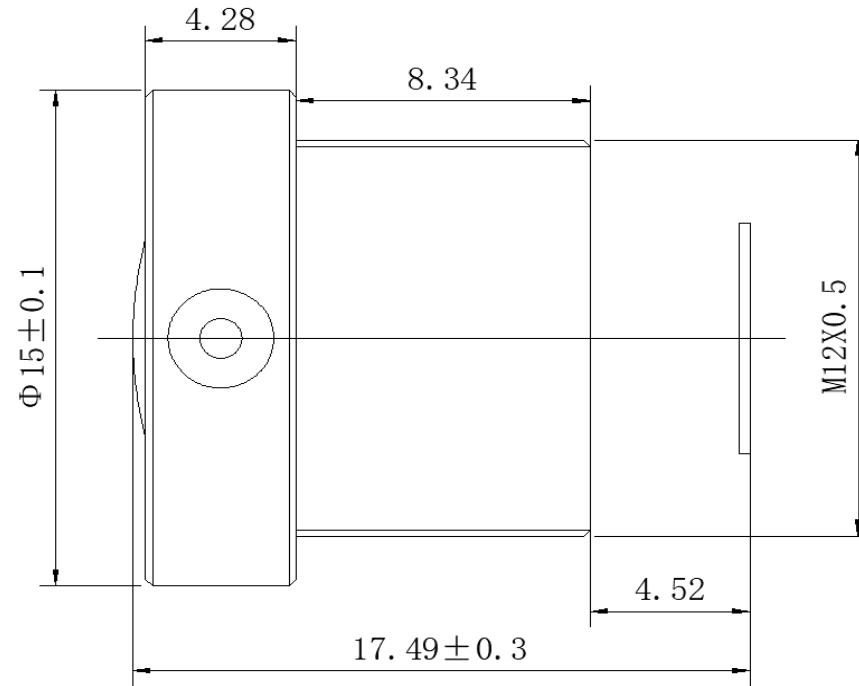


SPECIFICATION

| | |
|--------------------------|------------------|
| IMAGE FORMAT | Max Φ 6.8mm |
| FOCAL LENGTH | 2.8mm |
| F.O.V. @1/3" (OV4689) | 146°(D=6.18) |
| | 121°(H=5.38) |
| | 64°(V=3.04) |
| RESOLUTION | 4 MegaPixel |
| TV DISTORTION | <-24% |
| APERTURE | F2.0 |
| MOUNT | M12X0.5 |
| IRIS | Fixed |
| FOCUS | Manual |
| ZOOM | Fixed |
| T.T.L. | 17.49mm |
| STRUCTURE | 6G+IRCF |



| SCALE | | DRAWN | | MODEL | S02812713320F | REV | DESCRIPTION | DATE | NAME |
|-------|----|---------|--|--|----------------------|-----|-------------|------|------|
| DATE | | CHECK | |  香港致远电子集团有限公司 HONGKONG TOWIN ELECTRONICS CO.,LTD. | | ① | | | |
| UNIT | mm | APPROVE | | | | ② | | | |
| | | | | | | ③ | | | |