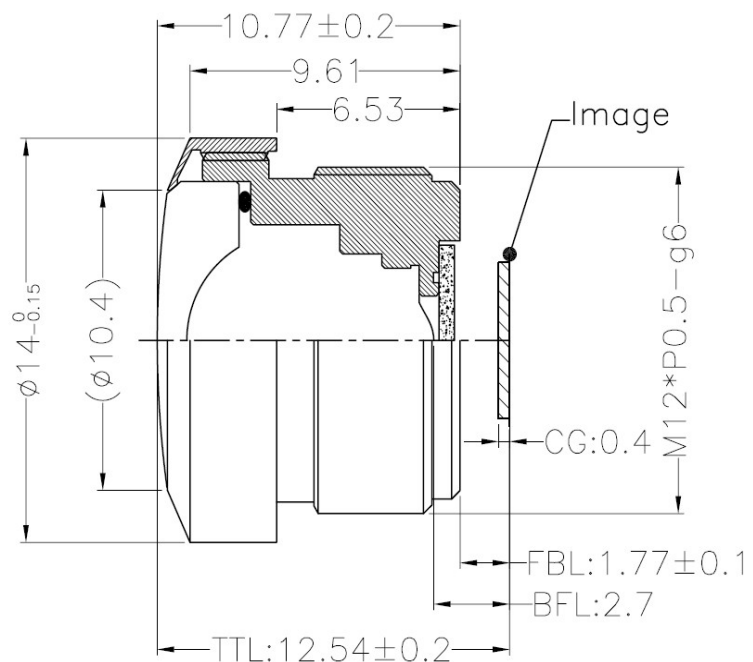


SPECIFICATION

IMAGE FORMAT	1/4"
FOCAL LENGTH	1.3mm
F.O.V.	144°(D)
	115°(H)
	96°(V)
TV DISTORTION	<-8%
RESOLUTION	VGA
APERTURE	F2.2
MOUNT	M12X0.5
IRIS	Fixed
FOCUS	Manual
ZOOM	Fixed
B.F.L.	2.7mm
M.O.D.	0.2m
CONSTRUCTION	1G3P+IRF



SCALE		DRAWN		MODEL	CCL14013MPF	REV	DESCRIPTION	DATE	NAME
DATE		CHECK		 香港致远电子集团有限公司 HONGKONG TOWIN ELECTRONICS CO.,LTD.		①			
UNIT	mm	APPROVE				②			
						③			