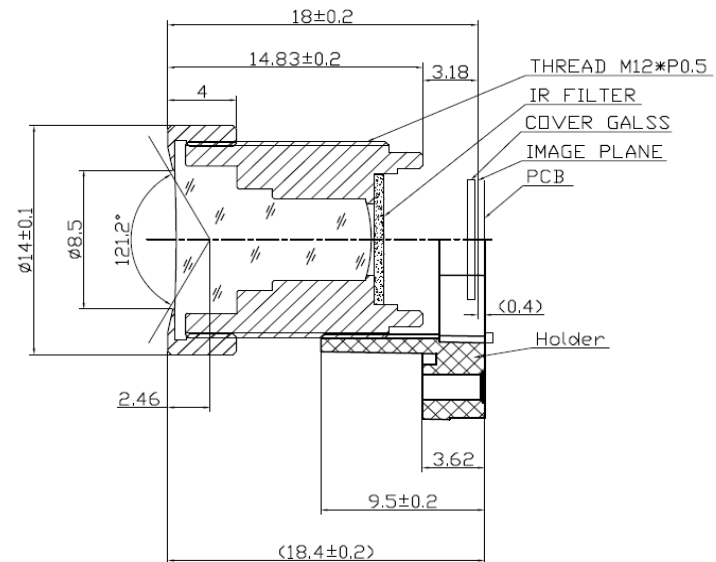


SPECIFICATION

IMAGE FORMAT	1/3"
FOCAL LENGTH	3.68mm
F.O.V.(@AR0330)	107°(D)
	85°(H)
	54°(V)
DISTORTION	-25%
RESOLUTION	3MegaPixel
APERTURE	F2.4
MOUNT	M12X0.5
IRIS	Fixed
FOCUS	Manual
ZOOM	Fixed
B.F.L.	6.18mm
C.R.A.	<21°
R.I.	>80%
M.O.D.	0.3m
CONSTRUCTION	5G+IR cut



SCALE		DRAWN		MODEL	CCL130368MPF	REV	DESCRIPTION	DATE	NAME
DATE		CHECK		 香港致远电子集团有限公司 HONGKONG TOWIN ELECTRONICS CO.,LTD.		①			
UNIT	mm	APPROVE				②			
						③			