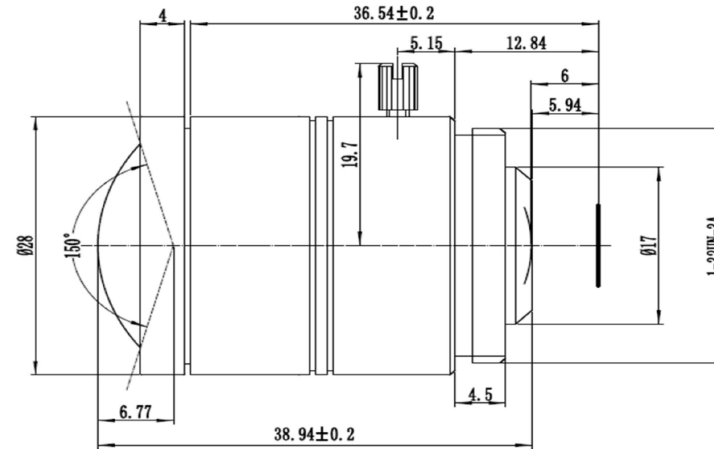


# SPECIFICATION

IMAGE FORMAT	1/2.3"
FOCAL LENGTH	3mm
F.O.V.	136°(D)
	114°(H)
	83° (V)
RESOLUTION	12 MP
APERTURE	F2.0
MOUNT	CS
IRIS	Fixed
FOCUS	Manual
ZOOM	Fixed
B.F.L.	5.94mm
IR	Corrected



SCALE		DRAWN		MODEL	<b>CCL123030MPCS</b>	REV	DESCRIPTION	DATE	NAME
DATE		CHECK		 香港致远电子集团有限公司 HONGKONG TOWIN ELECTRONICS CO.,LTD.		①			
UNIT	mm	APPROVE				②			
						③			