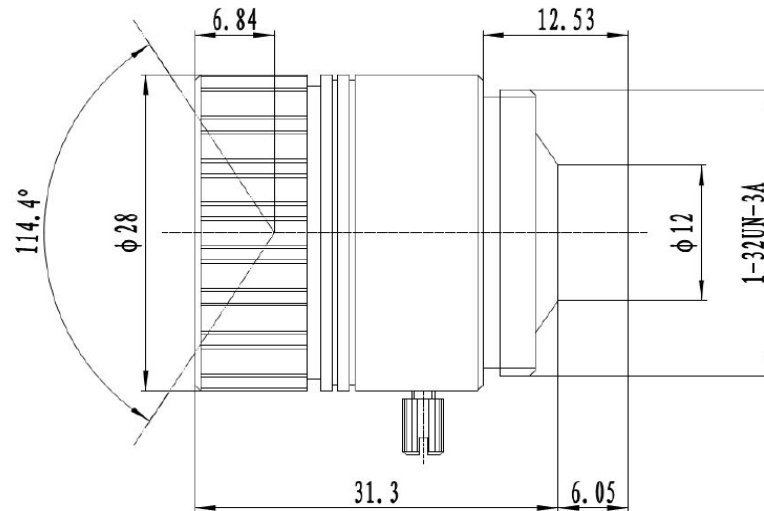


SPECIFICATION

IMAGE FORMAT	1/1.7"
FOCAL LENGTH	5mm
F.O.V.	114.4°(D)
	87°(H)
	62° (V)
RESOLUTION	12 MP
APERTURE	F2.0
DISTORTION	-43%
MOUNT	CS
IRIS	Fixed
FOCUS	Manual
ZOOM	Fixed
B.F.L.	6.05mm
IR	Corrected



SCALE		DRAWN		MODEL	CCL117050MPCS	REV	DESCRIPTION	DATE	NAME
DATE		CHECK		 香港致远电子集团有限公司 HONGKONG TOWIN ELECTRONICS CO.,LTD.		①			
UNIT	mm	APPROVE				②			
						③			