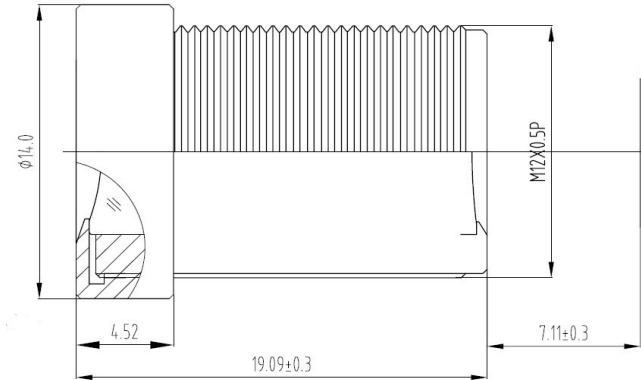


SPECIFICATION

IMAGE FORMAT	1/4"
FOCAL LENGTH	8mm
F.O.V.	33°(D)
	27°(H)
	20°(V)
RESOLUTION	5MP
DISTORTION	<2%
APERTURE	F1.8
MOUNT(mm)	M12x0.5
IRIS	Fixed
B.F.L.	7.8mm
T.T.L.	26.20mm
DIMENSION	Φ14x19.1mm
CONSTRUCTION	6G+IRF



SCALE		DRAWN		MODEL	CCL14080MPF	REV	DESCRIPTION	DATE	NAME
DATE		CHECK		 香港致远电子集团有限公司 HONGKONG TOWIN ELECTRONICS CO.,LTD.		①			
UNIT	mm	APPROVE				②			
						③			