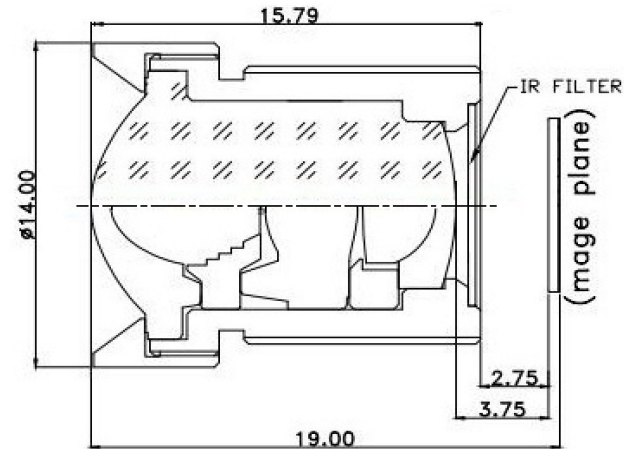


SPECIFICATION

| | |
|----------------|-------------|
| IMAGE FORMAT | 1/4" |
| FOCAL LENGTH | 3.5mm |
| F.O.V. | 65°(D) |
| | 55°(H) |
| | 40°(V) |
| RESOLUTION | 5 MP |
| DISTORTION | <-0.4% |
| APERTURE | F3.0 |
| MOUNT | M12x0.5 |
| IRIS | Fixed |
| M.O.D. | 0.1m |
| T.T.L. | 19mm |
| DIMENSION | Φ14x15.79mm |
| LENS COMPONENT | 2G2P |



| SCALE | 4:1 | DRAWN | | MODEL | CCL14035MP | REV | DESCRIPTION | DATE | NAME |
|-------|-----|---------|--|--|-------------------|-----|-------------|------|------|
| DATE | | CHECK | |  香港致远电子集团有限公司 HONGKONG TOWIN ELECTRONICS CO.,LTD. | ① | | | | |
| UNIT | mm | APPROVE | | | ② | | | | |
| | | | | | ③ | | | | |