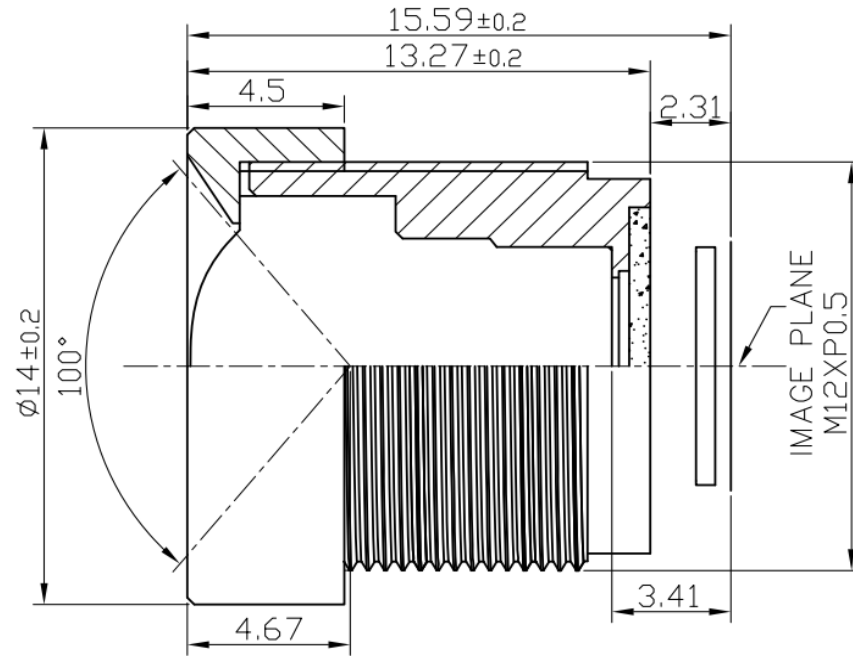


SPECIFICATION

IMAGE FORMAT	1/4"
FOCAL LENGTH	2.98mm
F.O.V.	73°(D)
	62°(H)
	49°(V)
RESOLUTION	5 MP
DISTORTION	<-0.2%
APERTURE	F3.5
MOUNT	M12x0.5
IRIS	Fixed
M.O.D.	0.3m
T.T.L.	15.59mm
STRUCTURE	2G2P+IRF



SCALE		DRAWN		MODEL	CCL140298MPF	REV	DESCRIPTION	DATE	NAME
DATE		CHECK		 香港致远电子集团有限公司 HONGKONG TOWIN ELECTRONICS CO.,LTD.		①			
UNIT	mm	APPROVE				②			
						③			