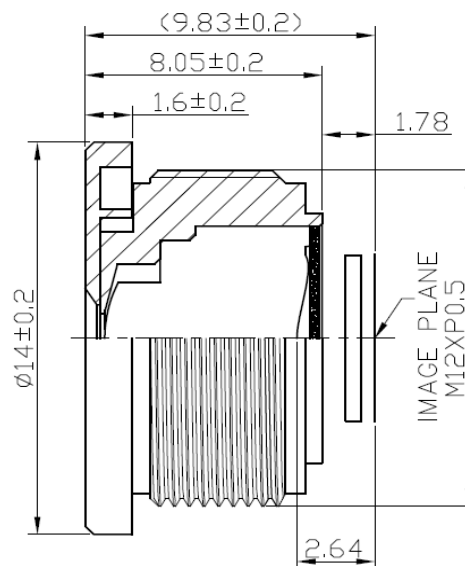


# SPECIFICATION

IMAGE FORMAT	1/3.2"
FOCAL LENGTH	6mm
D.F.O.V.	52°
RESOLUTION	8 MP
OPTICAL DISTORTION	<-0.1%
APERTURE	F3.5
MOUNT	M12x0.5
IRIS	Fixed
M.B.F.L.	2.64mm
M.O.D.	0.1m
T.T.L.	9.83mm
DIMENSION	Φ14x8mm
LENS COMPONENT	2G2P+IR cut



SCALE		DRAWN		MODEL	<b>CCL132060MPF</b>	REV	DESCRIPTION	DATE	NAME
DATE		CHECK		 香港致远电子集团有限公司 HONGKONG TOWIN ELECTRONICS CO.,LTD.		①			
UNIT	mm	APPROVE				②			
						③			