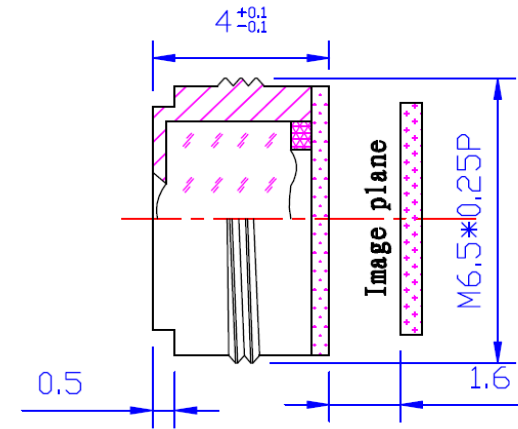
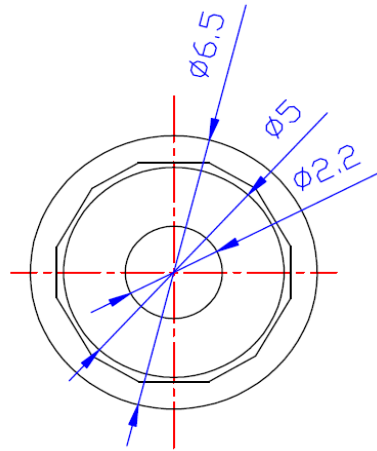


# SPECIFICATION

IMAGE FORMAT	1/3.2"
FOCAL LENGTH	5mm
F.O.V.@5.8	60°
RESOLUTION	8 MP
DISTORTION	<-1%
APERTURE	F2.2
MOUNT	M6.5x0.25
IRIS	Fixed
M.O.D.	0.3m
T.T.L.	5.6mm
LENS COMPONENT	5P+IR cut



SCALE		DRAWN		MODEL	<b>CCL13205MPF</b>	REV	DESCRIPTION	DATE	NAME
DATE		CHECK		 香港致远电子集团有限公司 HONGKONG TOWIN ELECTRONICS CO.,LTD.		①			
UNIT	mm	APPROVE				②			
						③			