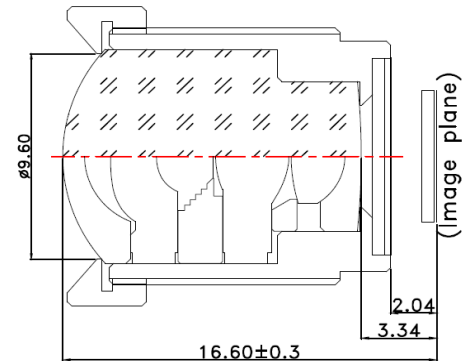
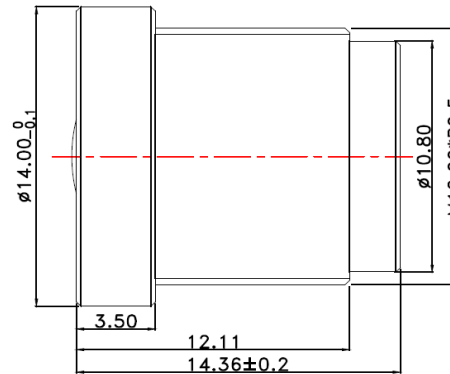


SPECIFICATION

IMAGE FORMAT	1/3.2"
FOCAL LENGTH	2.6mm
F.O.V.	98°(D)
	85°(H)
	67°(V)
RESOLUTION	2 MP
DISTORTION	<-2.9%
APERTURE	F2.4
MOUNT	M12x0.5
IRIS	Fixed
M.O.D.	0.2m
T.T.L.	16.60mm
DIMENSION	Φ14x14.36mm
LENS COMPONENT	3G2P



SCALE	4:1	DRAWN		MODEL	CCL132026MP	REV	DESCRIPTION	DATE	NAME
DATE		CHECK		 香港致远电子集团有限公司 HONGKONG TOWIN ELECTRONICS CO.,LTD.	①				
UNIT	mm	APPROVE			②				
					③				