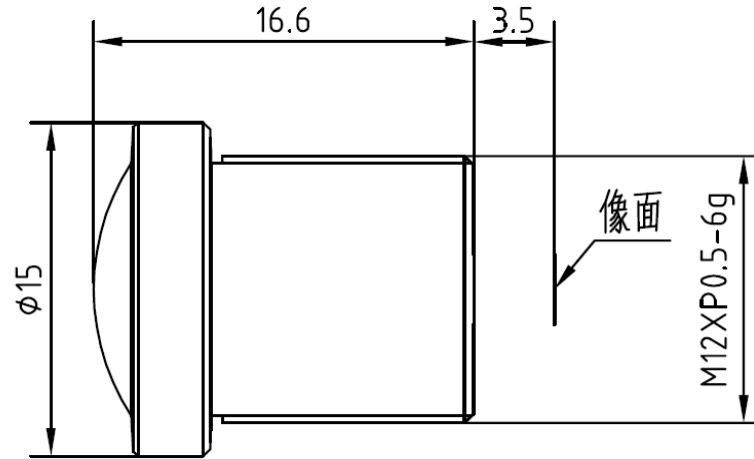


SPECIFICATION

IMAGE FORMAT	Φ3.2mm
FOCAL LENGTH	1.05mm
F.O.V.	185°(D)
	185°(H)
	185°(V)
RESOLUTION	5Megapixel
DISTORTION	<-100%
APERTURE	F2.0
MOUNT	M12x0.5
IRIS	Fixed
M.O.D.	0.2m
T.T.L.	20mm
M. B.F.L.	3.5mm
CONSTRUCTION	6G



SCALE	2:1	DRAWN		MODEL	CCL1320105MP	REV	DESCRIPTION	DATE	NAME
DATE		CHECK		 香港致远电子集团有限公司 HONGKONG TOWIN ELECTRONICS CO.,LTD.	①				
UNIT	mm	APPROVE			②				
					③				