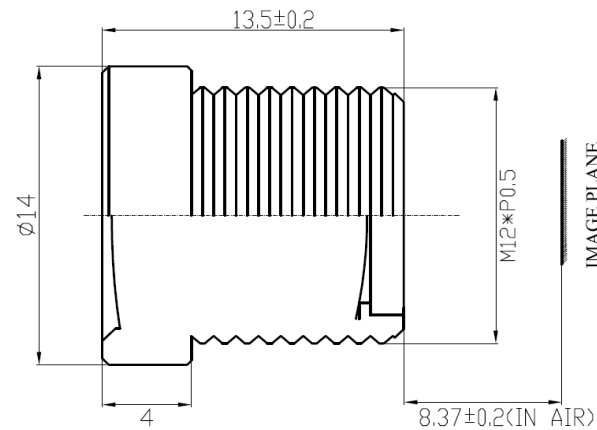


SPECIFICATION

IMAGE FORMAT	1/3"
FOCAL LENGTH	16mm
F.O.V.	20°(D)
	16.5°(H)
	12.5°(V)
RESOLUTION	2MP
DISTORTION	<0.5%
APERTURE	F1.8
MOUNT	M12X0.5
IRIS	Fixed
M.O.D.	0.3m
T.T.L.	21.87mm
B.F.L.	6.57mm
DIMENSION	Φ14x13.5mm



SCALE		DRAWN		MODEL	CCL1316MP	REV	DESCRIPTION	DATE	NAME
DATE		CHECK		 香港致远电子集团有限公司 HONGKONG TOWIN ELECTRONICS CO.,LTD.	①				
UNIT	mm	APPROVE			②				
					③				