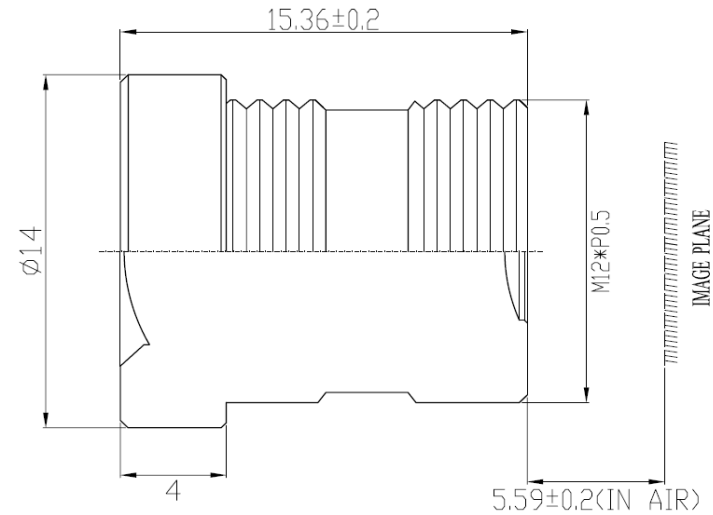


# SPECIFICATION

IMAGE FORMAT	1/3"
FOCAL LENGTH	12mm
F.O.V.	29°(D)
	23°(H)
	17°(V)
RESOLUTION	Megapixel
DISTORTION	<-2.4%
APERTURE	F1.6
MOUNT	M12X0.5
IRIS	Fixed
FOCUS	Manual
ZOOM	Fixed
T.T.L.	20.95mm
LENS COMPONENT	5G



SCALE		DRAWN		MODEL	<b>CCL1312MP</b>	REV	DESCRIPTION	DATE	NAME
DATE		CHECK		 香港致远电子集团有限公司 HONGKONG TOWIN ELECTRONICS CO.,LTD.	①				
UNIT	mm	APPROVE			②				
					③				