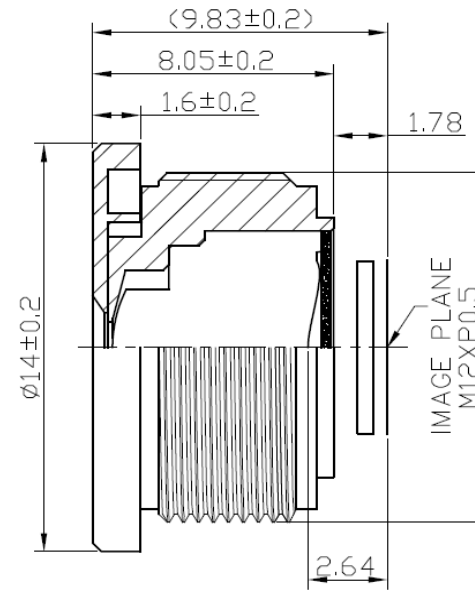


SPECIFICATION

IMAGE FORMAT	1/3"
FOCAL LENGTH	6mm
F.O.V.	54°(D)
	44°(H)
	34°(V)
RESOLUTION	3 MP
OPTICAL DISTORTION	<-0.1%
APERTURE	F3.5
MOUNT	M12x0.5
IRIS	Fixed
M.B.F.L.	2.64mm
M.O.D.	0.1m
T.T.L.	9.83mm
DIMENSION	Φ14x8mm
LENS COMPONENT	2G2P



SCALE		DRAWN		MODEL	CCL13060MPR	REV	DESCRIPTION	DATE	NAME
DATE		CHECK		 香港致远电子集团有限公司 HONGKONG TOWIN ELECTRONICS CO.,LTD.		①			
UNIT	mm	APPROVE				②			
						③			