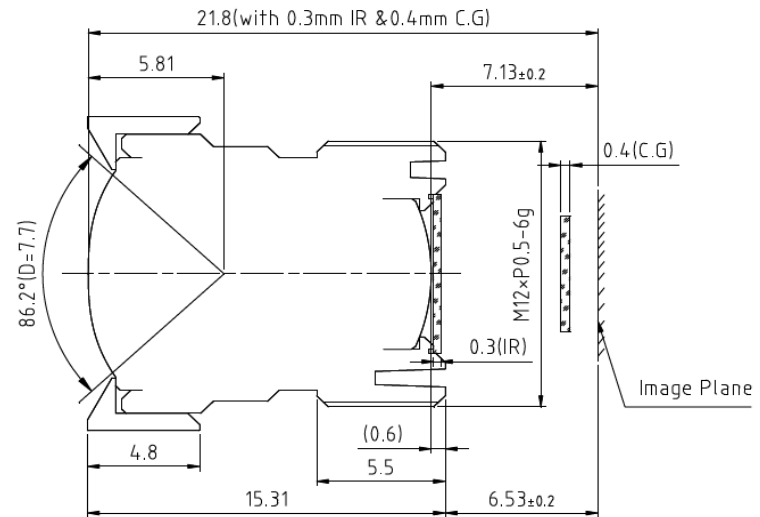


# SPECIFICATION

IMAGE FORMAT	1/3"
FOCAL LENGTH	4.2mm
F.O.V.	73°(D)
	62°(H)
	48°(V)
RESOLUTION	14 MP
DISTORTION	<-0.2%
APERTURE	F3.0
MOUNT	M12x0.5
IRIS	Fixed
M.O.D.	0.2m
T.T.L.	21.84mm
DIMENSION	Φ15.31x14.5mm
LENS COMPONENT	3G2P+IRF



SCALE	4:1	DRAWN		MODEL	<b>CCL13042MPF</b>	REV	DESCRIPTION	DATE	NAME
DATE		CHECK		 香港致远电子集团有限公司 HONGKONG TOWIN ELECTRONICS CO.,LTD.		①			
UNIT	mm	APPROVE				②			
						③			