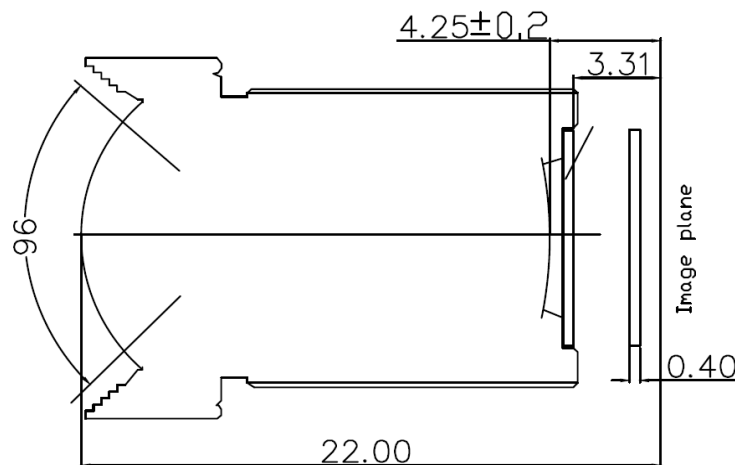


SPECIFICATION

IMAGE FORMAT	1/3"
FOCAL LENGTH	4.0mm
F.O.V.	76°(D)
	64°(H)
	49°(V)
RESOLUTION	5 MP
DISTORTION	<-0.2%
APERTURE	F2.8
MOUNT	M12x0.5
IRIS	Fixed
M.O.D.	0.1m
T.T.L.	22mm
DIMENSION	Φ14x18.7mm
CONSTRUCTION	2G2P



SCALE	4:1	DRAWN		MODEL	CCL13040MP	REV		DESCRIPTION		DATE		NAME	
DATE		CHECK		 香港致远电子集团有限公司 HONGKONG TOWIN ELECTRONICS CO.,LTD.	①								
UNIT	mm	APPROVE			②								
					③								