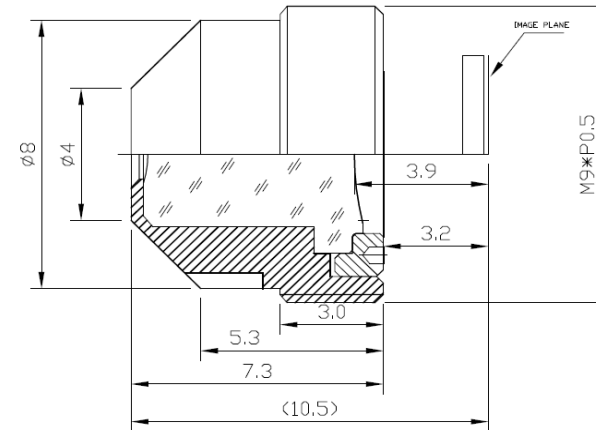


## SPECIFICATION

IMAGE FORMAT	1/3"
FOCAL LENGTH	3.7mm
F.O.V.	92°(D)
	70°(H)
	55°(V)
RESOLUTION	MP
APERTURE	F2.5
MOUNT	M9X0.5
IRIS	Fixed
FOCUS	Manual
ZOOM	Fixed
M.O.D.	0.2m



SCALE		DRAWN		MODEL	<b>CCL13037M9PMP</b>	REV	DESCRIPTION	DATE	NAME
DATE		CHECK		 香港致远电子集团有限公司 HONGKONG TOWIN ELECTRONICS CO.,LTD.		①			
UNIT	mm	APPROVE				②			
						③			