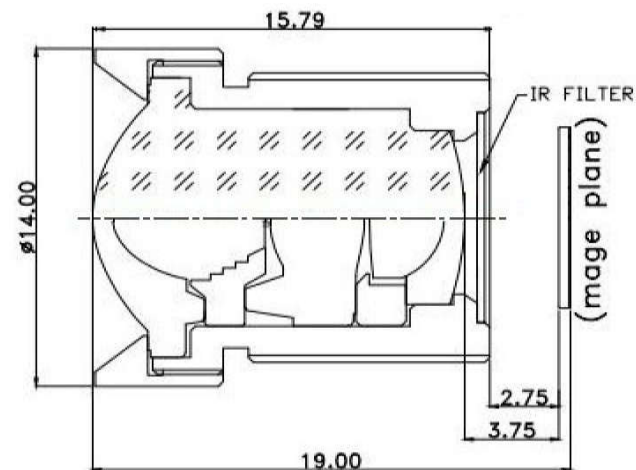


# SPECIFICATION

IMAGE FORMAT	1/3"
FOCAL LENGTH	3.5mm
F.O.V.	86°(D)
	74°(H)
	55.6°(V)
RESOLUTION	5 MP
DISTORTION	<-0.4%
APERTURE	F3.0
MOUNT	M12x0.5
IRIS	Fixed
M.O.D.	0.4m
T.T.L.	19mm
DIMENSION	Φ14x15.79mm
CONSTRUCTION	2G2P+IR cut



SCALE	4:1	DRAWN		MODEL	<b>CCL13035MPF</b>	REV	DESCRIPTION	DATE	NAME
DATE		CHECK		 香港致远电子集团有限公司 HONGKONG TOWIN ELECTRONICS CO.,LTD.	①				
UNIT	mm	APPROVE			②				
					③				