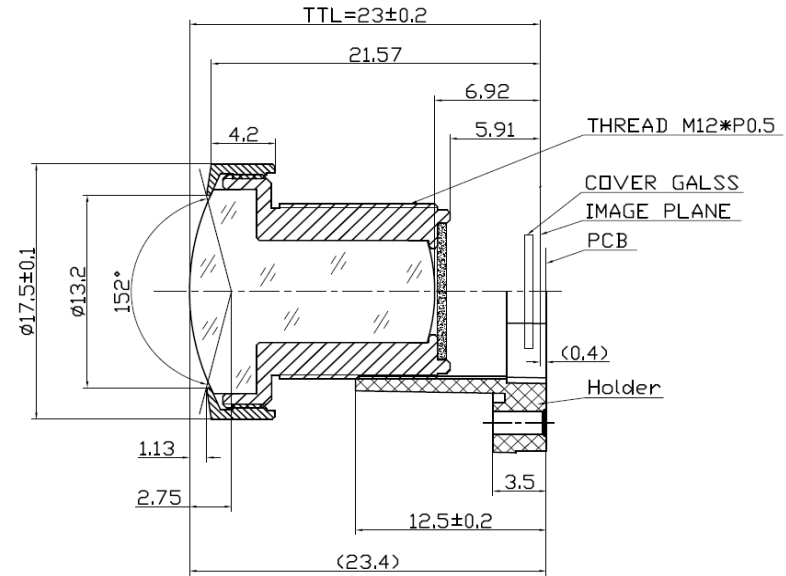


SPECIFICATION

IMAGE FORMAT	1/3"
FOCAL LENGTH	3.2mm
F.O.V.	111°(D)
	88°(H)
	66°(V)
RESOLUTION	3 MP
OPTICAL DISTORTION	<-27%
APERTURE	F2.8
MOUNT	M12x0.5
IRIS	Fixed
M.O.D.	0.2m
T.T.L.	23.8mm
LENS COMPONENT	6G



SCALE		DRAWN		MODEL	CCL13032MP	REV	DESCRIPTION	DATE	NAME
DATE		CHECK		 香港致远电子集团有限公司 HONGKONG TOWIN ELECTRONICS CO.,LTD.	①				
UNIT	mm	APPROVE			②				
					③				