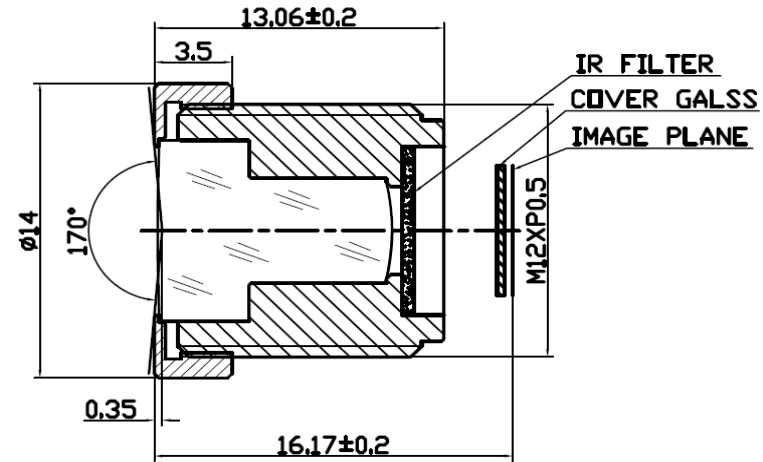


SPECIFICATION

IMAGE FORMAT	1/3"
FOCAL LENGTH	3mm
F.O.V.(AR0330)	150°(D)
	108°(H)
	67° (V)
RESOLUTION	3 Megapixel
DISTORTION	-39%
APERTURE	F2.4
MOUNT	M12X0.5
IRIS	Fixed
FOCUS	Manual
ZOOM	Fixed
M.B.F.L.	3.1mm
M.O.D.	0.1m
LENS COMPONENT	5G+IR cut



SCALE		DRAWN		MODEL	CCL13030MPFR	REV	DESCRIPTION	DATE	NAME
DATE		CHECK		 香港致远电子集团有限公司 HONGKONG TOWIN ELECTRONICS CO.,LTD.	①				
UNIT	mm	APPROVE			②				
					③				