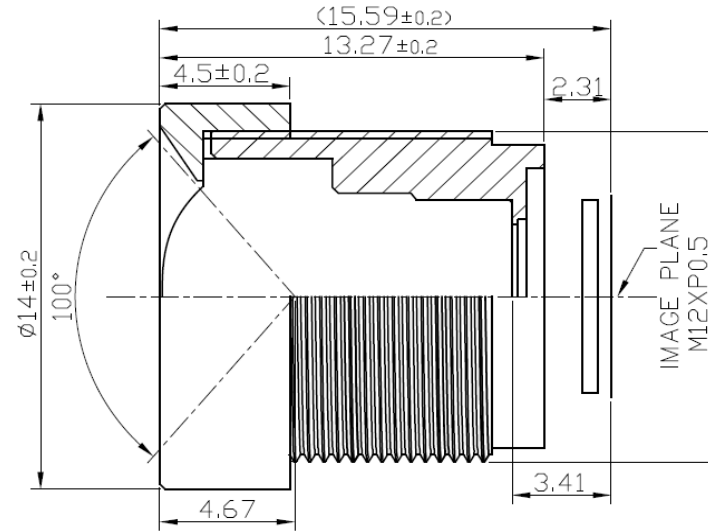


SPECIFICATION

IMAGE FORMAT	1/3"
FOCAL LENGTH	2.98 mm
F.O.V.	88°(D)
	77°(H)
	61°(V)
RESOLUTION	5 MP
DISTORTION	<-1%
APERTURE	F3.5
MOUNT	M12x0.5
IRIS	Fixed
B.F.L.	3.41mm
T.T.L.	15.59mm
DIMENSION(mm)	Φ14x13.27
LENS COMPONENT	4E



SCALE	4:1	DRAWN		MODEL	CCL130298MPF	REV	DESCRIPTION	DATE	NAME
DATE		CHECK		 香港致远电子集团有限公司 HONGKONG TOWIN ELECTRONICS CO.,LTD.	①				
UNIT	mm	APPROVE			②				
					③				