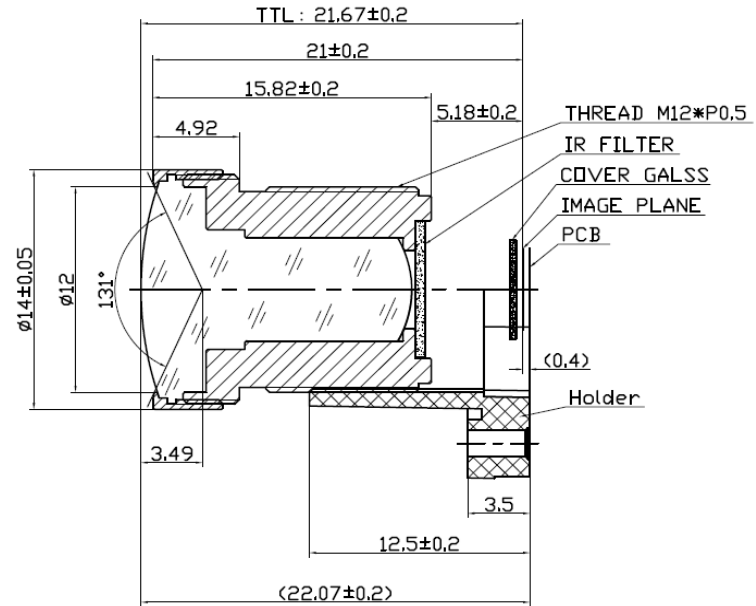


# SPECIFICATION

IMAGE FORMAT	1/3"
FOCAL LENGTH	2.8mm
F.O.V.@6.38	138°(D)
F.O.V.@5.38	114°(H)
F.O.V.@3.34	70°(V)
RESOLUTION	4 Megapixel
DISTORTION	<-37%
APERTURE	F2.2
MOUNT	M12X0.5
IRIS	Fixed
FOCUS	Manual
ZOOM	Fixed
T.T.L.	21.67mm
B.F.L.	6.3mm
M.O.D.	0.2m
CONSTRUCTION	6G+IRF



SCALE		DRAWN		MODEL	<b>CCL1302822MPF</b>	REV	DESCRIPTION	DATE	NAME
DATE		CHECK		 香港致远电子集团有限公司 HONGKONG TOWIN ELECTRONICS CO.,LTD.		①			
UNIT	mm	APPROVE				②			
						③			