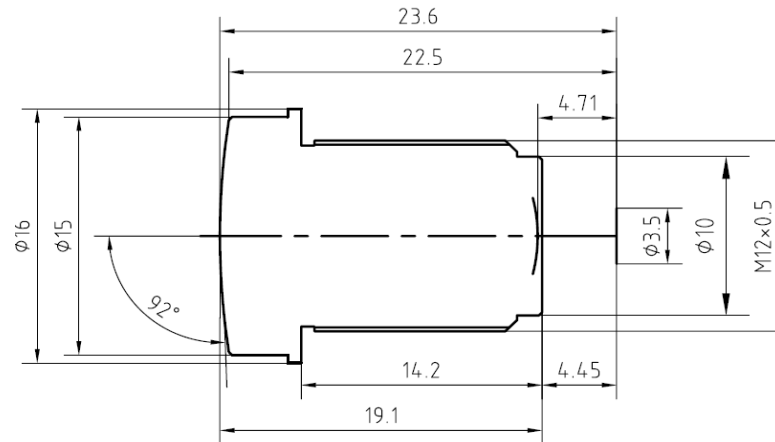


SPECIFICATION

IMAGE FORMAT	Φ3.5mm
FOCAL LENGTH	1.65mm
F.O.V.(1/3")	184°(D)
	184°(H)
	184°(V)
RESOLUTION	3Megapixel
DISTORTION	<-100%
APERTURE	F2.2
MOUNT	M12x0.5
IRIS	Fixed
M.O.D.	0.2m
T.T.L.	23.7mm
M. B.F.L.	4.45mm
IR cut filter	Yes



SCALE	2:1	DRAWN		MODEL	CCL130165MPF	REV	DESCRIPTION	DATE	NAME
DATE		CHECK		 香港致远电子集团有限公司 HONGKONG TOWIN ELECTRONICS CO.,LTD.	①				
UNIT	mm	APPROVE			②				
					③				