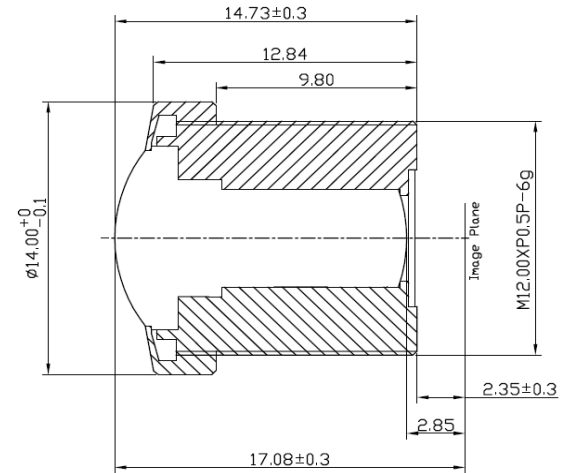


SPECIFICATION

IMAGE FORMAT	1/3"
FOCAL LENGTH	1.1mm
F.O.V.	190°(D)
	190°(H)
	190°(V)
RESOLUTION	Megapixel
DISTORTION	-115%
APERTURE	F1.8
MOUNT	M12x0.5
IRIS	Fixed
M.O.D.	0.2m
T.T.L.	17.08mm
CONSTRUCTION	6G+IR cut



SCALE		DRAWN		MODEL	CCL13011MPFR	REV	DESCRIPTION	DATE	NAME
DATE		CHECK		 香港致远电子集团有限公司 HONGKONG TOWIN ELECTRONICS CO.,LTD.	①				
UNIT	mm	APPROVE			②				
					③				