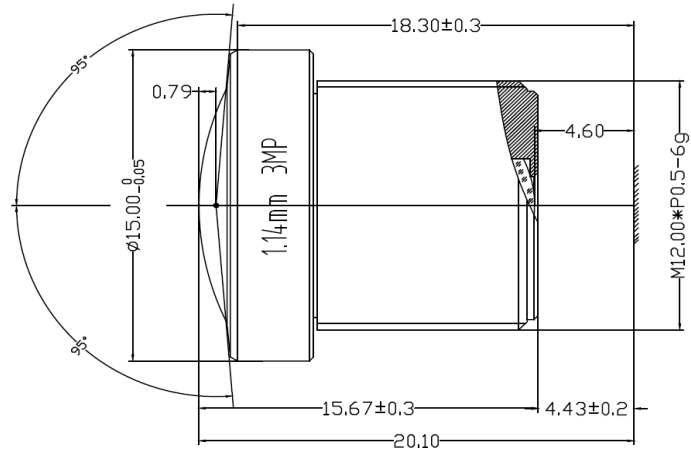


# SPECIFICATION

IMAGE FORMAT	Φ3.4mm
FOCAL LENGTH	1.14mm
F.O.V.	190°(D)
	190°(H)
	190°(V)
RESOLUTION	3Megapixel
DISTORTION	<-105%
APERTURE	F2.3
MOUNT	M12x0.5
IRIS	Fixed
M.O.D.	0.2m
T.T.L.	20mm
M. B.F.L.	4.43mm
CONSTRUCTION	6G



SCALE	2:1	DRAWN		MODEL	<b>CCL130114MP</b>	REV	DESCRIPTION	DATE	NAME
DATE		CHECK		 香港致远电子集团有限公司 HONGKONG TOWIN ELECTRONICS CO.,LTD.	①				
UNIT	mm	APPROVE			②				
					③				