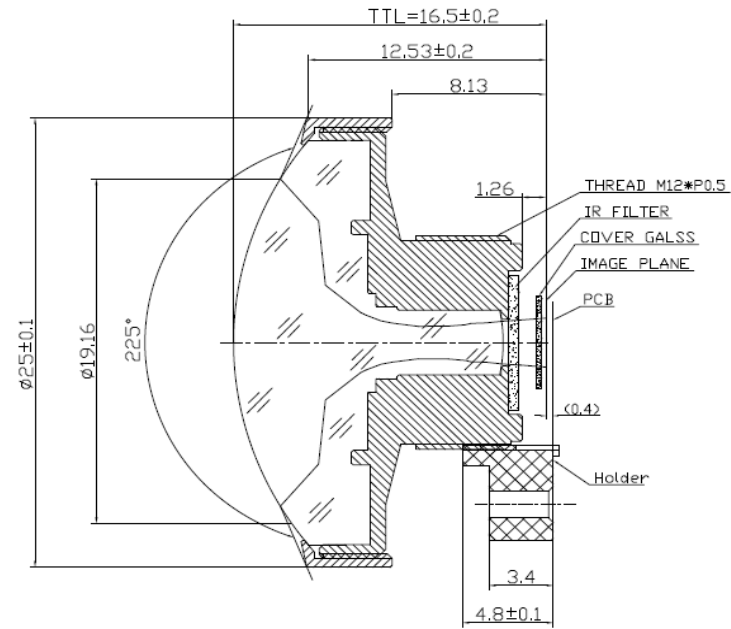


SPECIFICATION

| | |
|-----------------------|-------------|
| IMAGE FORMAT | Φ2.7mm |
| FOCAL LENGTH | 0.9mm |
| F.O.V.(sensor OV4689) | 220°(D) |
| | 220°(H) |
| | 220°(V) |
| RESOLUTION | 4 Megapixel |
| OPTICAL DISTORTION | <-169% |
| APERTURE | F2.2 |
| MOUNT | M12x0.5 |
| IRIS | Fixed |
| M.O.D. | 0.1m |
| T.T.L. | 16.50mm |
| M. B.F.L. | 1.26mm |
| COMPONENT | 6G+IR cut |



| SCALE | 2:1 | DRAWN | | MODEL | CCL13009MPF | REV | DESCRIPTION | DATE | NAME |
|-------|-----|---------|--|--|--------------------|-----|-------------|------|------|
| DATE | | CHECK | |  香港致远电子集团有限公司 HONGKONG TOWIN ELECTRONICS CO.,LTD. | ① | | | | |
| UNIT | mm | APPROVE | | | ② | | | | |
| | | | | | ③ | | | | |